

.uno
by inc.jet

.unoplus
by inc.jet

TURNKEY PRINT SOLUTIONS



incjet
PROBLEM SOLVED



Turnkey, industrial print solution for reliable performance

The 1/2" .UNO packaging printer's all-in-one print head and screen give you a simple, yet incredibly powerful way to print up to 1/2" of print with the minimum of effort. This packaging printer system comprises of a 7" screen and attached print head allowing you to be up and running within minutes.

Using inc.jet's proven and highly reliable print solutions based on Hewlett-Packard technology, the .UNO packaging printer is the ideal product for serialization, barcodes and human-readable printing in all packaging applications.

- **Single 1/2" Print Head**
- **7" Touch Screen (with Design and Management software)**
- **All in one turnkey packaging printer solution replacing messy CIJ Printers**
- **Rugged industrial design for the most demanding installations**
- **No Mess, No Maintenance, No Stress technology**
- **Ideal for lot codes, expiry date applications**



8 Reasons to Replace your CIJ Printer

An inc.jet .UNO print solution can help you to replace your troublesome CIJ Printer and here's why...

1. No Mess
2. No Smell
3. Zero maintenance
4. Higher reliability
5. Lower Costs
6. Simple operation
7. Lowered VOC's
8. Small Footprint



Print Specifications

Print Resolution

- 600 dpi x 300 dpi 250 feet per minute
- 300 dpi x 300 dpi 500 feet per minute
- Print Density User configurable

Barcode Capability

- Static: 87 Types
- Dynamic 9 Types

Other Printable items

- | | |
|---------------|----------------------------|
| Lot Codes | Date/Expiry Date |
| Shift Codes | Foreign Languages |
| Bitmaps/Logos | Fixed Text |
| User Inserts | Counters and Batch Numbers |



.unoplus

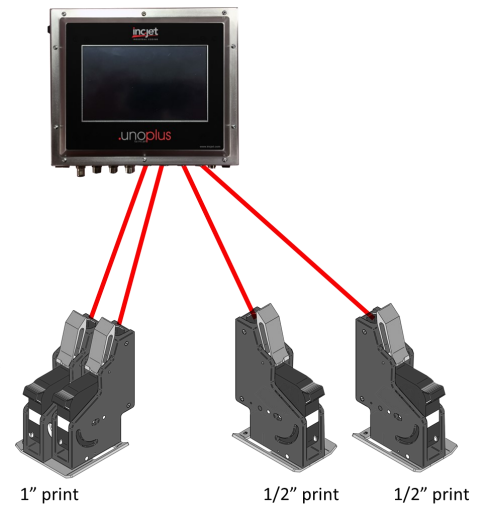
by inc.jet

Expanded capabilities for greater flexibility



Building on the simplicity of a single pen .UNO with a 7" screen and UI, there is now a way to attach up to 4 pens and a stack light—the .UNO Plus.

The ability to print on multiple sides of a package means that you can take two printers and replace them with one, saving you money and complexity. The individual pens can be joined together and print up to 2" if required.



Lowest Total Cost of Ownership

Operational Costs can often be far greater than the initial purchase price taking into consideration costs on consumables, reliability, maintenance and other concerns.

With Zero Maintenance, superb control over print resolution and densities, proven reliability with the lowest downtime possible, the .UNO and .UNO Plus, matched with inc.jet's Managed Inks, gives solid performance at the lowest costs possible.

A true Lifetime Warranty

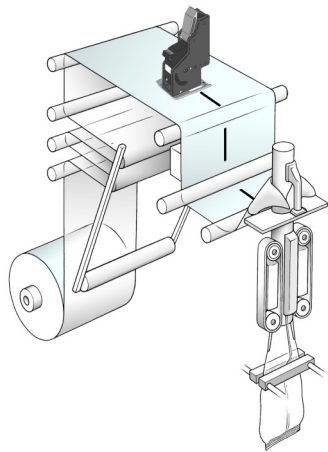
A guarantee of reliability is what your business needs today. And a company to stand behind its words.

inc.jet does just this by offering a genuine Lifetime Warranty on its hardware. If there is ever a problem, we will replace it free of charges for the lifetime of that product, whether 1 year or 20 years from now



- **Up to four 1/2" Print Head separated or joined together to form a maximum of 2" of print width.**
- **7" Touch Screen (with Design and Management software)**
- **Optional Stack light connectivity**
- **Small form fit and print footprint for inclusion in most applications**
- **Ideal for Form Fill Sealers up to 4 lanes**

.UNO Plus FOR 1 to 4 LANE APPLICATIONS



The .UNO Plus packaging printer's all-in-one print heads and screen give you a simple, yet incredibly powerful way to print in single lane scenarios or up to 4 separate lanes, making them ideal for VFFS Applications

Using inc.jet's proven and highly reliable print solutions based on Hewlett-Packard technology, the .UNO Plus packaging printer is the ideal product for serialization, barcodes and human-readable printing, in a small, yet easily integrated format

The .UNO solutions are the lowest costs to buy, install and operate on the market, yet giving stunning and reliable performance every print, every day.

Color Touch Screen
Industrial grade touch screen with sophisticated, simple to use control and monitoring software

Print Heads
Up to 4 print heads for simple integration into VFFS applications . Small footprint

.unoplus
by inc.jet

Connections
Connection to Ethernet, sensors, encoders and touch screen



Usage Estimates

The following gives a solid estimation on estimates how many prints you can get from a single cartridge, based on what you are printing. For more information, contact your inc.jet sales representative

Font size	Example	Print Resolution	Images per cartridge
9 pt	JAN 07 2017 08:15	300 x 300	580,000
10 pt	LOT 66G7 EXP 07 JAN 2017	300 x 300	260,000
12 pt	USE BY 07 JAN 2017 7D 5766	300 x 300	185,000
18 pt	JAN 07 17 H7788857	300 x 300	104,000