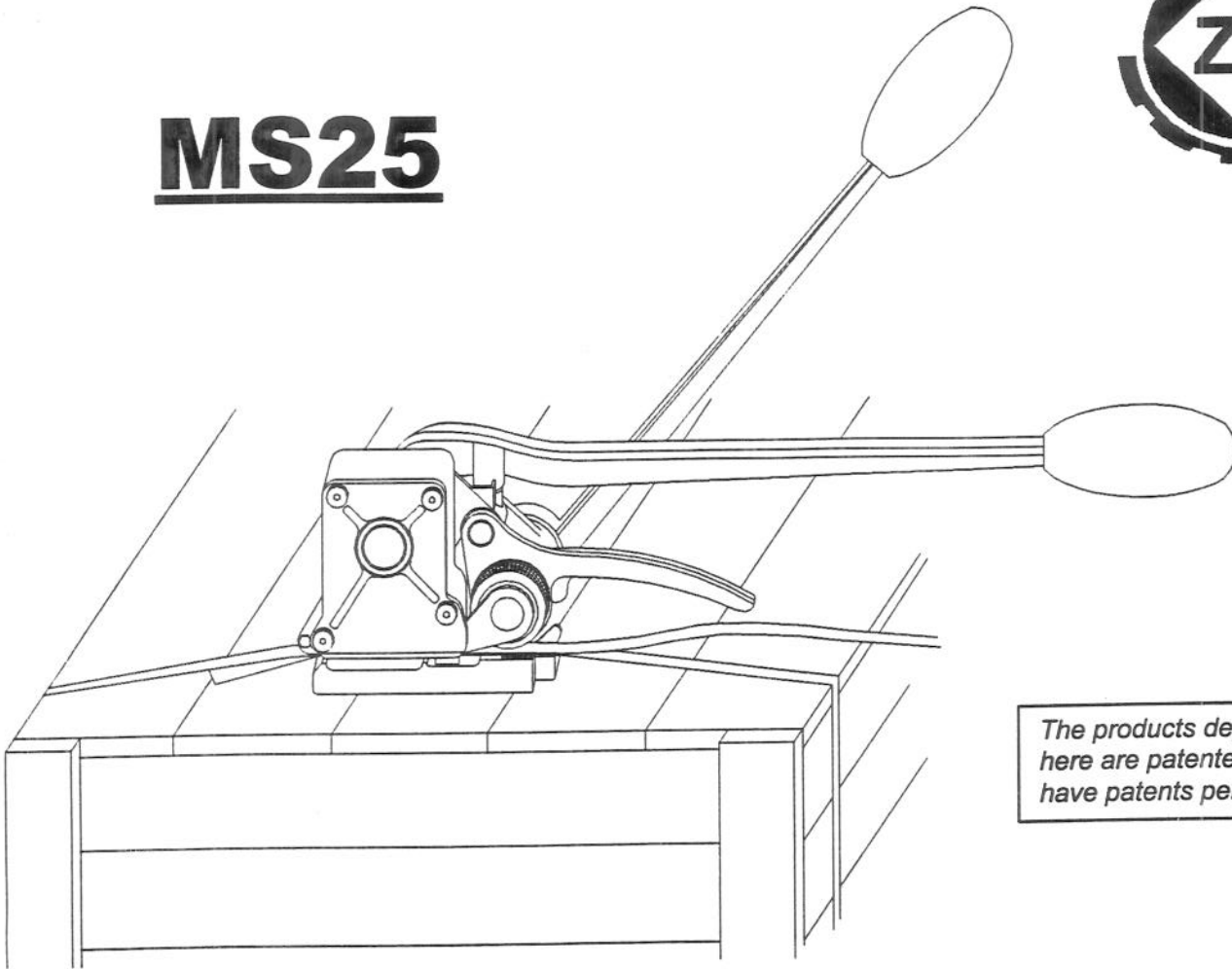




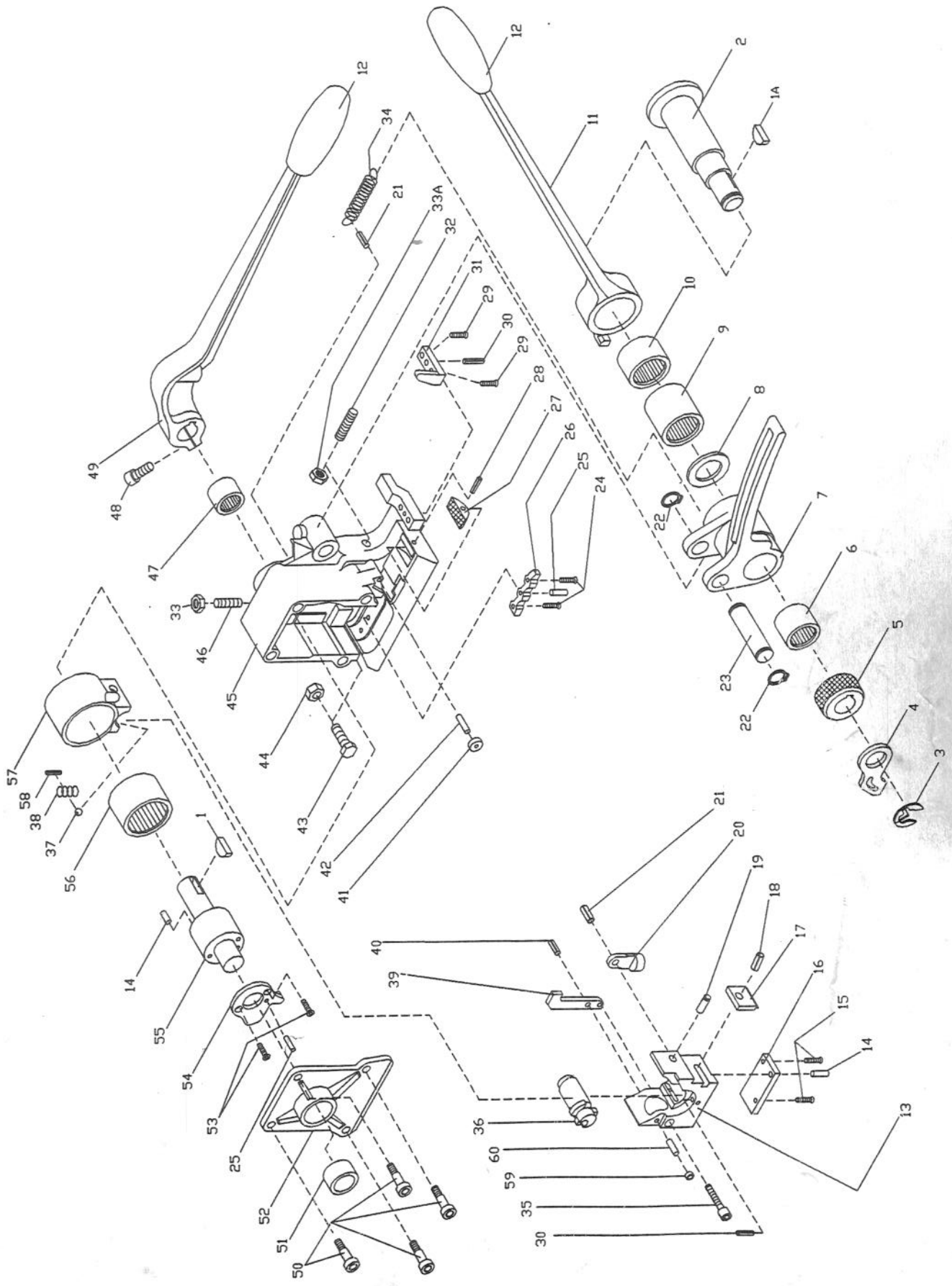
# MS25



*The products depicted here are patented and/or have patents pending.*

## OPERATION MANUAL AND PARTS LIST MS25 SERIES TOOLS

SECTION	CONTENTS	PAGE
1	SAFETY INSTRUCTIONS	2
2	SPECIFICATIONS	2
3	OPERATING INSTRUCTIONS	3-4
4	MAINTENANCE	5
5	ADJUSTMENTS	5
6	REPLACEMENT OF PARTS	5-9
7	DIAGRAM	10
8	PARTS LIST	11-13



## 8

## MS25 PARTS LIST

POSITION	PART NO.	PART NAME	PARTS PER TOOL
1, 1A	ZR-0001	WOODRUFF KEY	2
2	ZR-0002	FEEDWHEEL SHAFT	1
3	ZR-0003	EXTERNAL RETAINING RING	1
4	ZR-0004	STRAP GUIDE 1/2" (13mm)	1
4	ZR-0005	STRAP GUIDE 5/8" (16mm)	1
4	ZR-0006	STRAP GUIDE 3/4" (19mm)	1
5	ZR-0007	FEEDWHEEL 25	1
6	ZR-0008	ROLLER BEARING	1
7	ZR-0009	FEEDWHEEL LEVER	1
8	ZR-0010	WASHER	1
9	ZR-0011	ROLLER CLUTCH AND BEARING ASSEMBLY	1
10	ZR-0012	ROLLER CLUTCH	1
11	ZR-0013	TENSION LEVER	1
12	ZR-0014	HANDLE	2
13	ZR-0015	DIE AND KNIFE BLOCK	1
14	ZR-0016	DOWEL PIN	2
15	ZR-0017	CHEESE HEAD MACHINE SCREW	2
16	ZR-0018	DIE 1/2" (13mm)	1
16	ZR-0019	DIE 5/8", 3/4" (16mm, 19mm)	1
17	ZR-0020	KNIFE (INCLUDES ZR-0021)	1
17	ZR-0070	KNIFE 15-for strap thickness of .015"-.019" (0.38-0.48mm) only. (INCLUDES ZR-0021)	1
18	ZR-0021	SPRING TENSION PIN	1
19	ZR-0022	CONNECTION PIN	1
20	ZR-0023	BACK UP HOOK	1
21	ZR-0024	SPRING TENSION PIN	2
22	ZR-0025	EXTERNAL RETAINING RING	2
23	ZR-0026	SHAFT	1
24	ZR-0027	CHEESE HEAD MACHINE SCREW	2

**MS25 PARTS LIST CONTINUED**

<b>POSITION</b>	<b>PART NO.</b>	<b>PART NAME</b>	<b>PARTS PER TOOL</b>
25	ZR-0028	DOWEL PIN	2
26	ZR-0029	PUNCH 1/2" (13mm)	1
26	ZR-0030	PUNCH 5/8", 3/4" (16mm, 19mm)	1
27	ZR-0031	GRIPPER	1
28	ZR-0032	SPRING TENSION PIN	1
29	ZR-0033	CHEESE HEAD MACHINE SCREW	2
30	ZR-0034	SPRING TENSION PIN	2
31	ZR-0035	STRAP STOP FRONT 1/2" (13mm)	1
31	ZR-0036	STRAP STOP FRONT 5/8" (16mm)	1
31	ZR-0037	STRAP STOP FRONT 3/4", 1 1/4" (19mm, 32mm)	1
32	ZR-0038	HEXAGON SOCKET SET SCREW	1
33, 33A	ZR-0039	NUT	2
34	ZR-0040	EXTENSION SPRING	1
35	ZR-0041	HEXAGON SOCKET CAP SCREW	1
36	ZR-0042	CAM	1
37	ZR-0043	BALL	1
38	ZR-0044	COMPRESSION SPRING	1
39	ZR-0045	DIE BLOCK BACK UP	1
40	ZR-0046	SPRING TENSION PIN	1
41	ZR-0047	SPACER	1
42	ZR-0048	PIN	1
43	ZR-0049	STRAP STOP REAR 1/2" (13mm)	1
43	ZR-0050	STRAP STOP REAR 5/8" (16mm)	1
43	ZR-0051	STRAP STOP REAR 3/4" (19mm)	1
44	ZR-0052	NUT	1
45	ZR-0053	HOUSING MS25	1
46	ZR-0054	HEXAGON SOCKET SET SCREW	1
47	ZR-0055	ROLLER BEARING	1
48	ZR-0056	HEXAGON SOCKET CAP SCREW	1

**MS25 PARTS LIST CONTINUED**

<b>POSITION</b>	<b>PART NO.</b>	<b>PART NAME</b>	<b>PARTS PER TOOL</b>
49	ZR-0057	SEALING LEVER	1
50	ZR0338	HEXAGON SOCKET SHOULDER SCREW	4
51	ZR-0059	ROLLER BEARING	1
52	ZR-0060	HOUSING COVER	1
53	ZR-0061	CHEESE HEAD MACHINE SCREW	2
54	ZR-0078	CAM LEVER	1
55	ZR-0063	ECCENTRIC SHAFT	1
56	ZR-0064	ROLLER BEARING	1
57	ZR-0065	ECCENTRIC SHAFT PLUNGER (INCLUDES ZR-0043, ZR-0044, ZR-0064, ZR-0075)	1
58	ZR-0075	SPRING TENSION PIN	1
59	ZR-0076	ROLLER	1
60	ZR-0077	ROLLER PIN	1
—	ZR-0066	OPERATION MANUAL AND PARTS LIST FOR MS25 SERIES TOOLS.	1