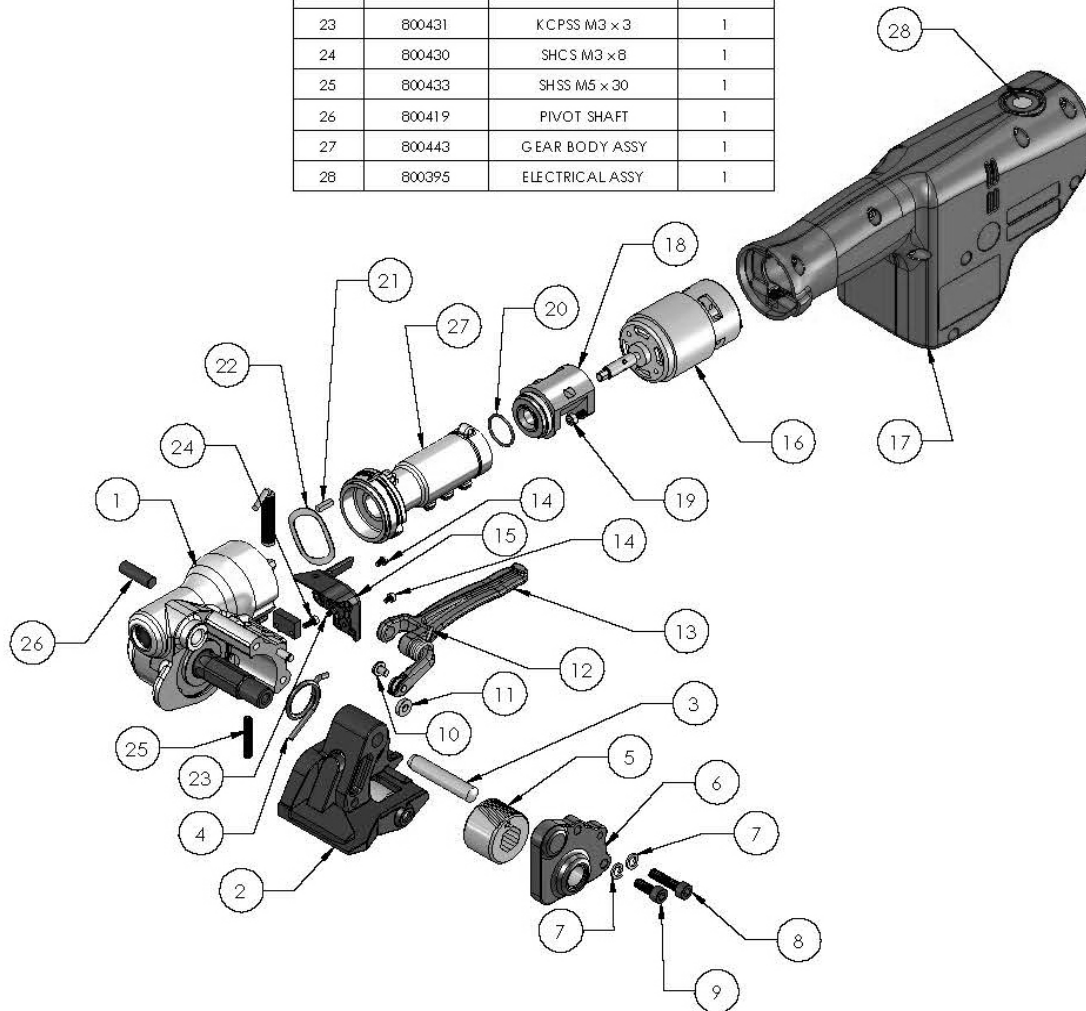


# PARTS LIST - MAIN ASSEMBLIES

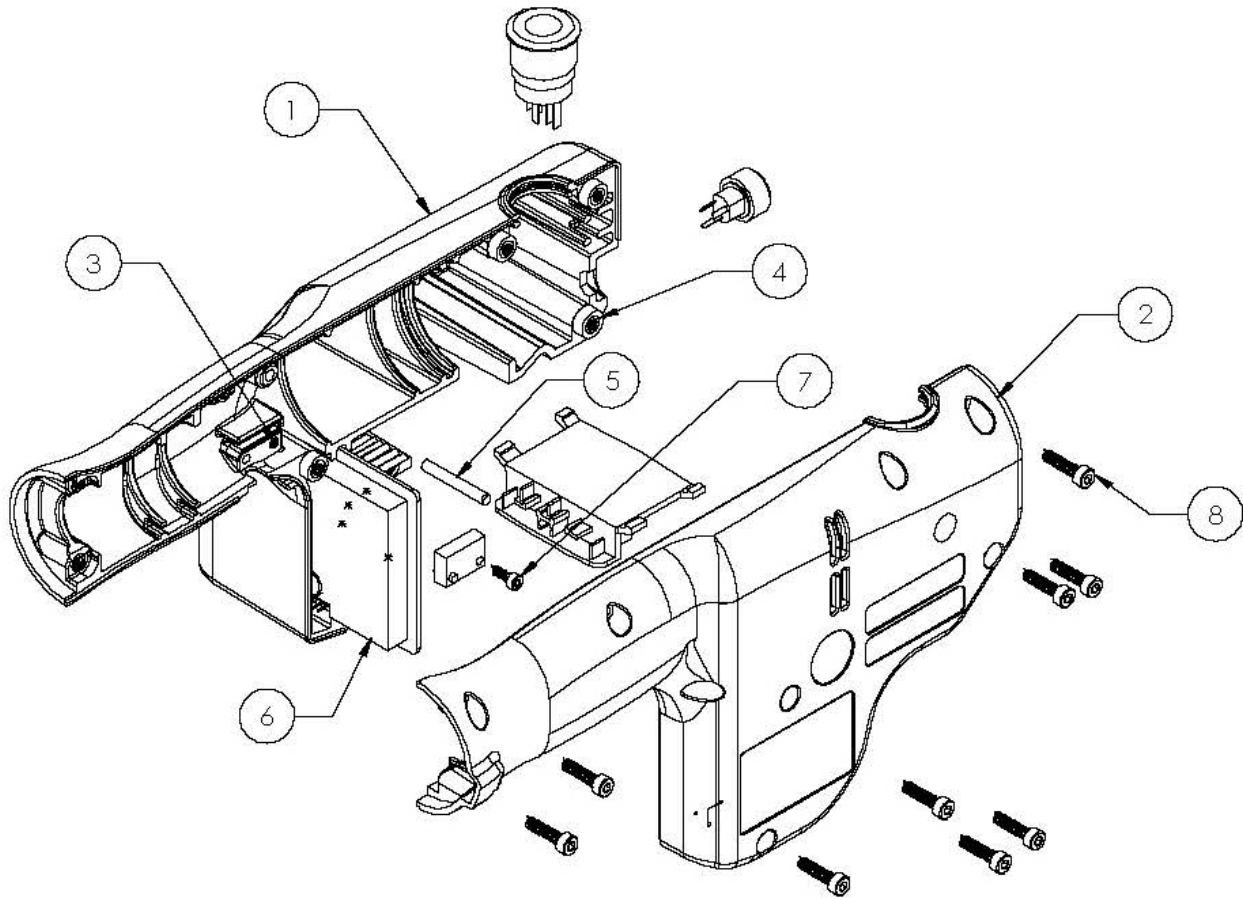
● Recommended spare parts items: 3, 4, 5

ITEM #	PART #	DESCRIPTION	QTY
1	800442	GEAR HOUSING ASSY	1
2	800445	BREAKER FOOT ASSY	1
3	800119	PIVOT PIN Ø10 x 55	1
4	800415	FOOT SPRING	1
5	423398	FEEDWHEEL	1
6	800451	SIDEPLATE ASSY	1
7	005464	WASHER	1
8	423790	SHCS M6 x 25	1
9	423549	SHCS M6 x 18	1
10	400418	ROLLER SHAFT	1
11	800417	ROLLER	1
12	800416	SPRING	1
13	800412	RELEASE LEVER	1
14	800435	SHCS M3 x 5	2
15	800435	FRONT COVER	1
16	800447	MOTOR ASSY	1
17	800444	PLASTIC HOUSING ASSY	1
18	800396	MOTOR ADAPTER	1
19	800432	SHCS M4 x 12	2
20	800434	DASH 018 O-RING	1
21	800413	KEY	1
22	800455	WAVE WASHER	1
23	800431	KCPSS M3 x 3	1
24	800430	SHCS M3 x 8	1
25	800433	SHSS M5 x 30	1
26	800419	PIVOT SHAFT	1
27	800443	GEAR BODY ASSY	1
28	800395	ELECTRICAL ASSY	1



## PARTS LIST - COVERS

ITEM #	PART #	DESCRIPTION	QTY
1	800397	PLASTIC HOUSING LEFT	1
2	800398	PLASTIC HOUSING RIGHT	1
3	800424	BRASS INSERT M3	1
4	800423	BRASS INSERT M4	9
5	800426	DOWEL PIN 4 x 30	1
6	800395	PCB ASSEMBLY	1
7	800430	SHCS M3 x 8	1
8	800429	SHCS M4 x 16	9



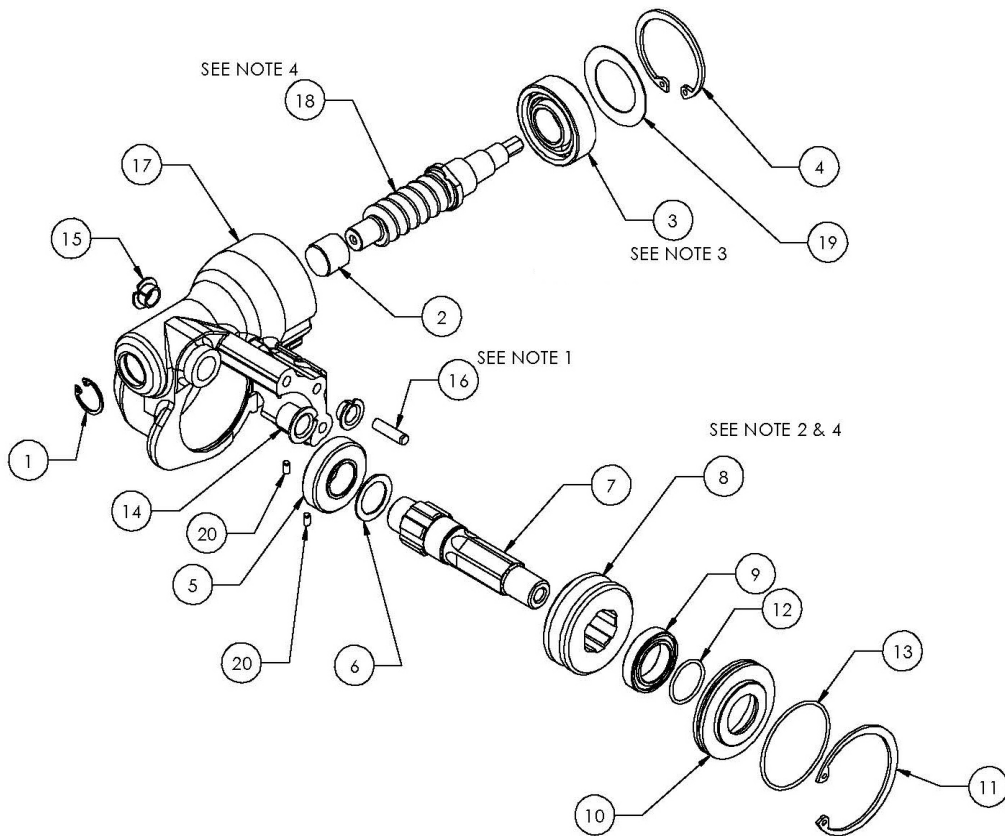
### **⚠ WARNING**

Inspect all parts daily and replace them if they are worn or broken. Failure to do this can affect a product's operation and could result in serious personal injury.

# PARTS LIST - GEAR HOUSING

- Recommended spare parts items: 8, 14, 15, 18

ITEM #	PART #	DESCRIPTION	QTY
1	008752	N5000-62	1
2	008751	NEEDLE ROLLER BEARING	1
3	008756	BEARING	1
4	800436	RETAINING RING	1
5	024038	BEARING	1
6	423533	THRUST WASHER	1
7	423501	FEED WHEEL SHAFT	1
8	800400	WORM GEAR	1
9	423515	BEARING	1
10	800448	COVER	1
11	250731	TRUARC RING	1
12	423531	SAE 18 ORING	1
13	256755	SAE 30 ORING	1
14	800120	FLANGE BEARING	1
15	800401	FLANGE BEARING	2
16	800438	DOWEL PIN M5 x 20	1
17	800408	GEAR HOUSING	1
18	800399	WORM	1
19	800420	SPACER	1
20	800456	DOWEL PIN M3 x 6	2

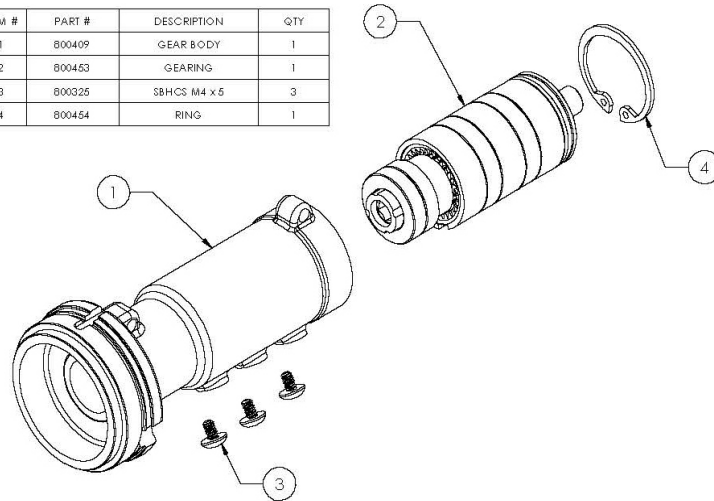


## Notes:

1. Loctite 609 (Green) or equivalent.
2. Part side with lettering must be installed facing gear housing.
3. Install bearing with face lettering facing away from gear housing.
4. Matching gear set.

## PARTS LIST - GEAR BODY

ITEM #	PART #	DESCRIPTION	QTY
1	800409	GEAR BODY	1
2	800453	GEARING	1
3	800325	S&HCS M4 x 5	3
4	800454	RING	1

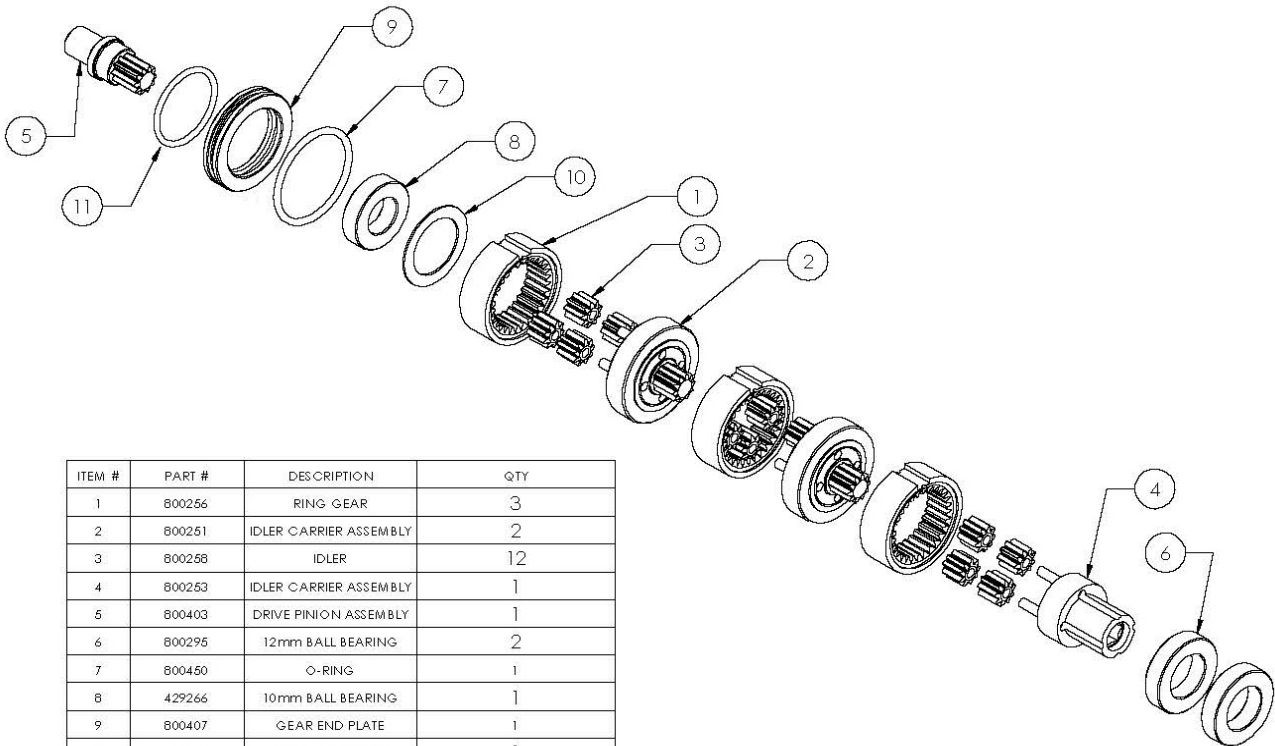


### **WARNING**

Inspect all parts daily and replace them if they are worn or broken. Failure to do this can affect a product's operation and could result in serious personal injury.

## PARTS LIST - GEAR PACK

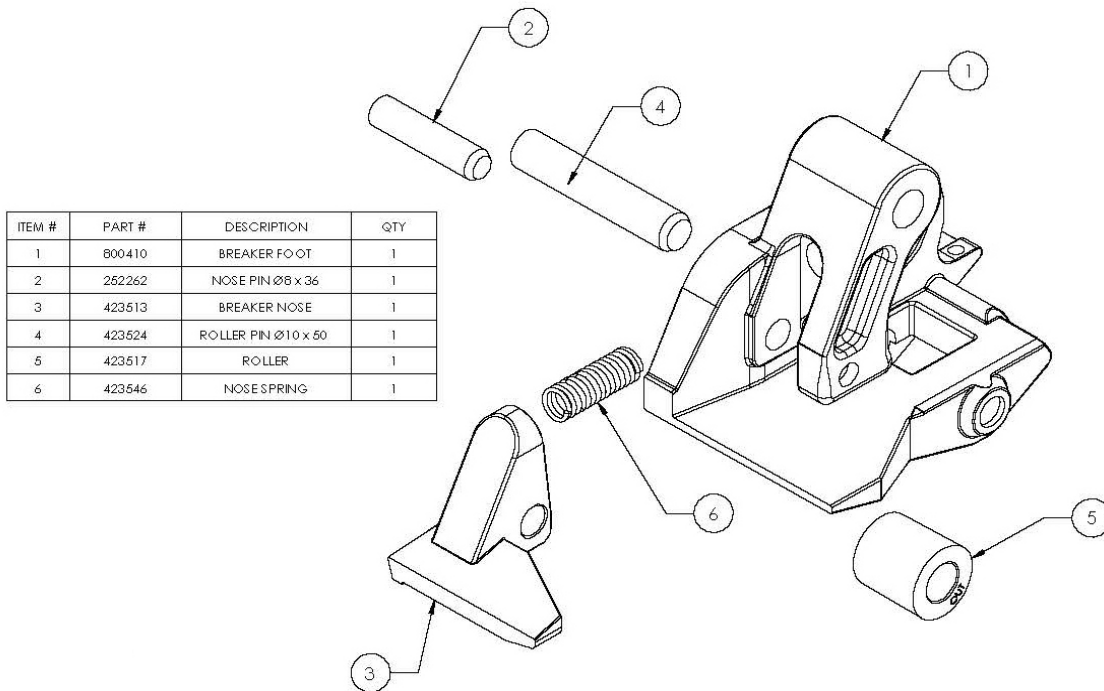
- Recommended spare parts items: 3



ITEM #	PART #	DESCRIPTION	QTY
1	800256	RING GEAR	3
2	800251	IDLER CARRIER ASSEMBLY	2
3	800258	IDLER	12
4	800253	IDLER CARRIER ASSEMBLY	1
5	800403	DRIVE PINION ASSEMBLY	1
6	800295	12mm BALL BEARING	2
7	800450	O-RING	1
8	429266	10mm BALL BEARING	1
9	800407	GEAR END PLATE	1
10	800318	5/8 X 7/8 X .020 SHIM	1
11	800449	O-RING	1

## PARTS LIST - BREAKER FOOT

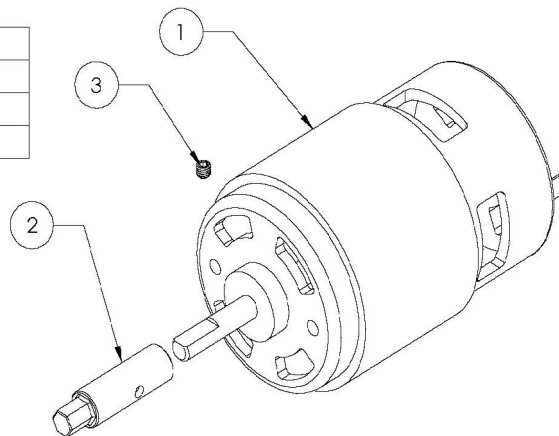
- Recommended spare parts items: 1, 2, 3, 4, 5



## PARTS LIST - MOTOR

- Recommended spare parts items: 1, 2

ITEM #	PART #	DESCRIPTION	QTY
1	800422	MOTOR	1
2	800404	DRIVE SHAFT	1
3	800431	KCPSS M3 x 3	1



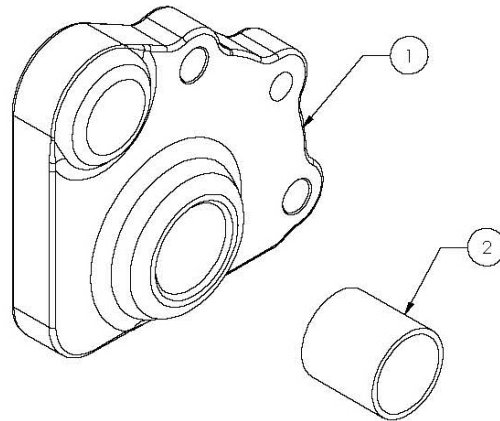
### **⚠ WARNING**

Inspect all parts daily and replace them if they are worn or broken. Failure to do this can affect a product's operation and could result in serious personal injury.

## PARTS LIST - SIDE PLATE

- Recommended spare parts items: 2

ITEM #	PART #	DESCRIPTION	QTY
1	800411	SIDE PLATE	1
2	800451	BUSHING	1



## PARTS LIST - ELECTRICAL COMPONENTS

Part No.	Qty	Description
800428	1	Operation Button
800422	1	Motor
800425*	2	Switch
800414*	1	Strap Sensor
800395	1	PC Board
800005	1	Contact Plate
800427	1	Tension Knob

\* Items that include wires.

