

PARTS LIST

<u>KEY</u>	<u>QTY.</u>	<u>PART NO.</u>	<u>DESCRIPTION</u>
1	1	424927	Base
2	2	424529	Inner guide
4	2	010032	SHCS M6x12
5	8	010077	Lock washer M6
6	3	034411	Roll pin 1/8 x 1/2 long
7	2	424098	Lifter
8	1	424536	Locking plate
9	1	185778	SHSS M6x12
10	1	424537	Energizing spring
11	8	274931	Dowel pin 3 x 12 long
12	2	259935	SHCS M3 x 12
13	3	162568	Lock washer M3
14	3	424932	Punch
15	2	262456	SHCS M3 x 6
16	2	162383	SHCS M4 x 8
17	1	424936	Die support
18	1	424513	Cutter
19	1	424935	Cutter anvil
20	1	424541	Carrier
21	1	424546	Cam roller pin
22	2	424547	Washer
23	1	424548	Cam roller
24	56	424931	Needle roller
25	1	424928	Sealer cover
26	1	424121	Outer guide
27	1	162391	Dowel pin 5x24
28	5	010037	SHCS M6x20
29	2	168382	Lockwasher M4
30	1	424929	Feedwheel cover
31	1	424308	Garlock DU bushing 08DU08 1/2 x 1/2
32	1	424515	Bearing
33	1	253433	Dowel pin 4x14
34	1	424518	Link
35	1	424505	Clutch plug
36	1	092747	O-Ring, SAE #018
37	1	424507	Feedwheel
38	1	001611	Cotter pin, 3/32 x 3/4
40	1	424930	Gear housing
41	1	424526	Feedwheel shaft
42	1	424516	Pawl pin
43	1	424512	Pivot pin
44	1	424530	Needle bearing, INA #HK1212
45	1	424506	Long retaining pawl
46	1	424504	Short retaining pawl
47	2	005191	Retaining pawl spring
48	1	424516	Pawl pin
49	1	424517	Tension handle
50	1	005185	Tensioner pawl

<u>KEY</u>	<u>QTY.</u>	<u>PART NO.</u>	<u>DESCRIPTION</u>
51	1	023222	Handle bushing
52	1	005186	Pawl spring
53	1	023219	Tensioner pinion
54	1	424926	Sealer handle
55	2	010054	Knob
56	2	010057	Roll pin 1/4 x 1/ 3/4
57	2	424925	Cam spacer
58	2	181261	Dowel pin, 5 x 10
59	1	424549	Eccentric shaft
60	3	274385	Dowel pin 6 x 20
65	1	424311	Warning sign
66	1	424533	Nameplate, 5/8
	1	424535	Nameplate, 3/4
67	1	286374	Safety sign
68	1	424321	Deflector
69	1	023214	Tensioner gear
70	1	280830	SHCS, M6 x 16
71	1	424934	DU Bushing, 10DU16



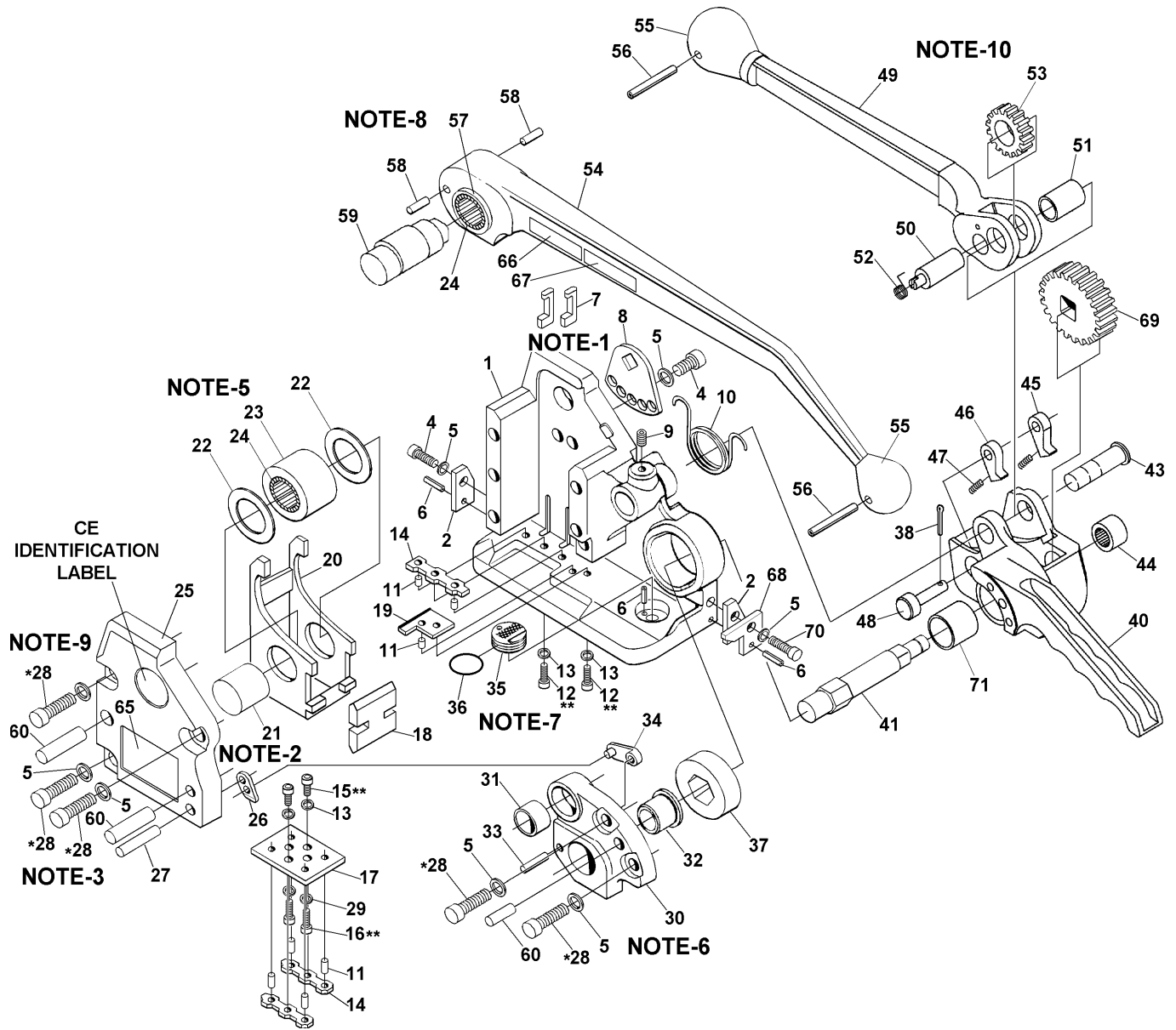
- When ordering parts, please show model, part number and description.
- Standard hardware parts may obtained at any local hardware supply.
- Recommended spare parts are underlined and should be stocked.

NOTES:

1. Locking Plate (Key 8) must be installed with the text "OUT" facing away from base.
2. Outer Guide (Key 26) must be installed with chamfer side out.
3. Socket head cap screws (Key 28) which secure the Sealer Cover (Key 25) must be torqued to 85-95 in-lbs.
4. Lubricate all moving parts with Molith No. 2 or Lubriplate 3000W Grease, GR-132 (Signode Part No. 422793).
5. Key numbers 20, 21, 22, 23 and 24 cab be purchased together as Signode Part No. 424940, Punch Carrier Assembly.
6. Key numbers 30, 31, 33 and 60 can be purchased together as Signode Part No. 424941, Feedwheel Cover Assembly.
7. Key numbers 6, 35 and 36 can be purchased together as Signode Part No. 424942, Clutch Plug Assembly.
8. Key numbers 54, 55, 56, 57 and 58 can be purchased together as Signode Part No. 424943, Sealer Handle Assembly.
9. Key numbers 25, 27, and 60 can be purchased together as Signode Part No. 424944, Cover Assembly.
10. Key numbers 49, 55, and 56 can be purchased together as Signode Part No. 424945, Tension Handle Assembly.

* Use Loctite #242 (Signode Part No. 422795) or equivalent.

** Use Loctite #222 (Signode Part No. 422794) or equivalent.



Review page 11 of this manual for explanation of notes.