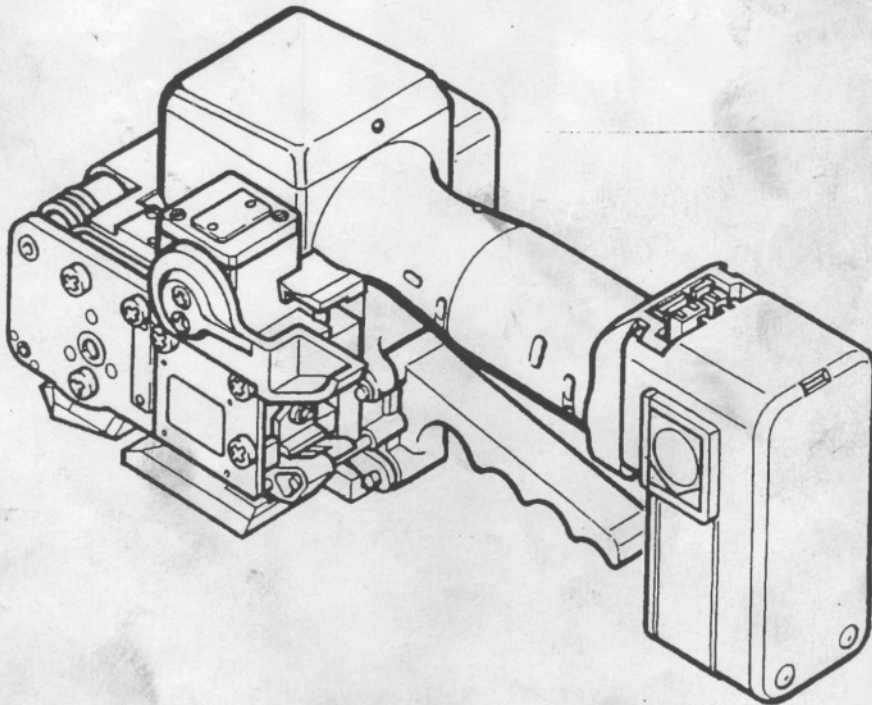




OPERATION MANUAL / SPARE PARTS LIST

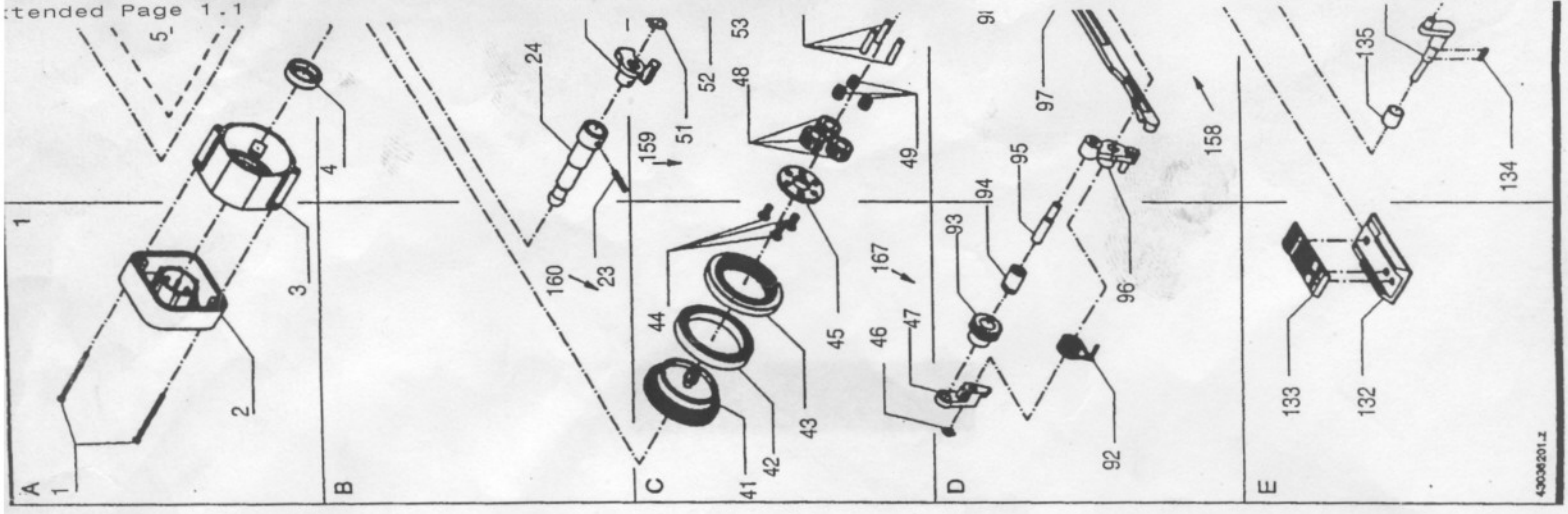
**BATTERY - POWERD
PLASTIC STRAPPING TOOL
MODEL P320**



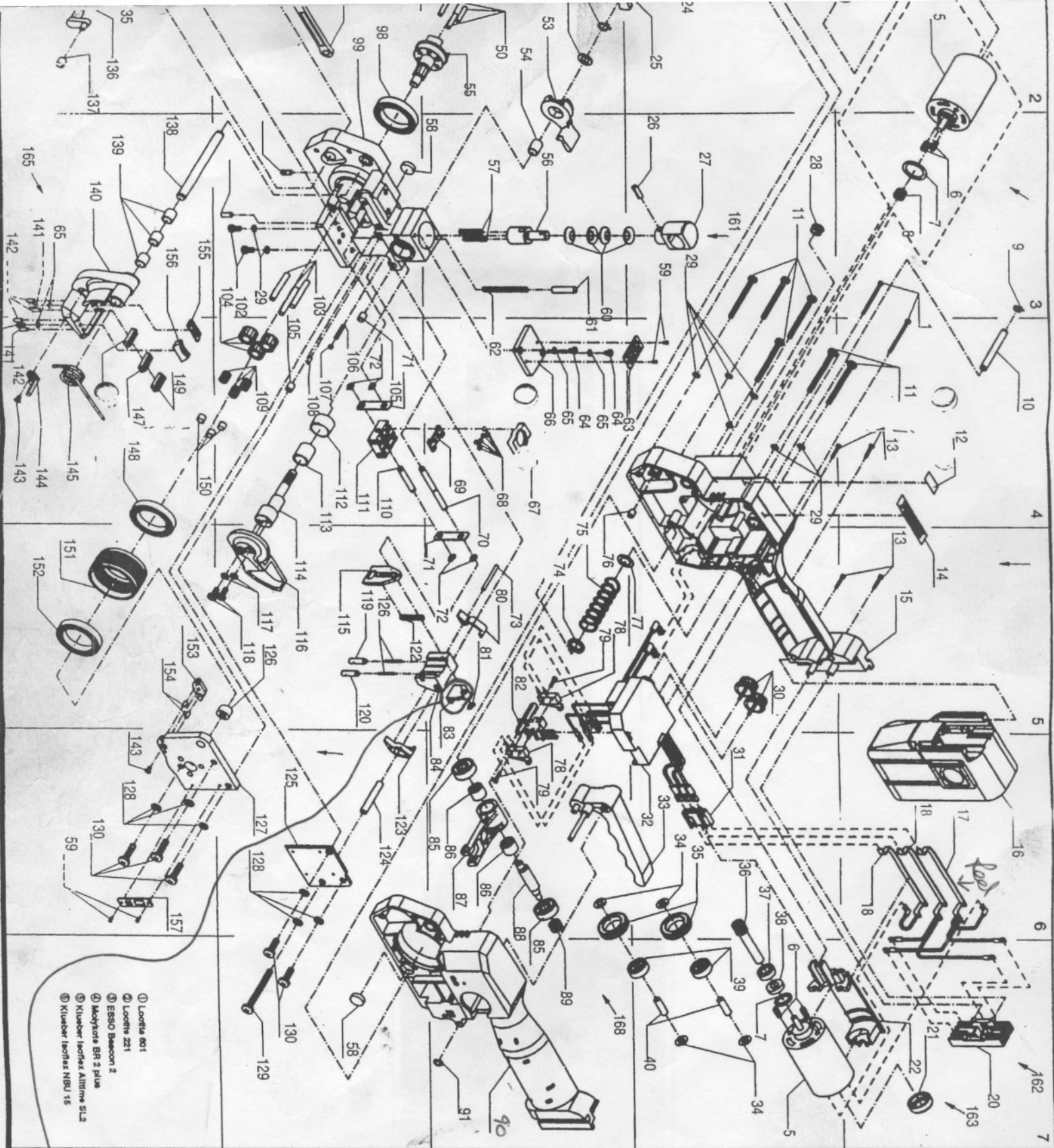
STRAPPING PRODUCTS

ACME PACKAGING CORPORATION
A SUBSIDIARY OF ACME METALS INCORPORATED

1303 CORBIN AVENUE
NEW BRITAIN, CT 06053-3805
(011) 708-849-2500



43004201.Z



#83
5327068

3/8" 3/8" 1/2" 1/2" 5/8" 5/8"

6 PARTS LIST P320

Acme #	Pcs.	Description	Key No.	3/8".016-.025	3/8".026-.041	1/2".016-.025	1/2".026-.041	5/8".016-.025	5/8".026-.041
				1971301	1971302	1971303	1971304	1971305	1971306
5327001	4	PT-SCREW	1	X	X	X	X	X	X
5327002	1	MOTOR COVER	2	X	X	X	X	X	X
5327003	1	INSERT	3	X	X	X	X	X	X
5327004	1	RUBBER BUSHING	4	X	X	X	X	X	X
5327005	1	ELECTRIC MOTOR	5	X	X	X	X	X	X
5327006	2	TORSIONAL STOP	6	X	X	X	X	X	X
5327007	1	O-RING	7	X	X	X	X	X	X
5327008	1	PINION	8	X	X	X	X	X	X
5457015	2	SECURITY RING	9	X	X	X	X	X	X
5327009	1	HANDLE SHAFT	10	X	X	X	X	X	X
5327010	6	SOCKET HEAD CAP SCREW	11	X	X	X	X	X	X
5327011	1	ADHESIVE LABEL	12	X	X	X	X	X	X
5327012	4	PT-SCREW	13	X	X	X	X	X	X
5485188	1	ADHESIVE LABEL	14	X	X	X	X	X	X
5327013	1	MOTOR HOUSING	15	X	X	X	X	X	X
5327014	1	BATTERY PACK	16	X	X	X	X	X	X
5327015	1	BUSBAR	17	X	X	X	X	X	X
5327016	1	BUSBAR	18	X	X	X	X	X	X
5327017	1	BUSBAR	19	X	X	X	X	X	X
5327018	1	CONNECTING PLATE	20	X	X	X	X	X	X
5327020	1	MOTOR SUPPORT	22	X	X	X	X	X	X
5327021	1	DOWEL PIN	23	X	X	X	X	X	X
5327022	1	WHEEL SHAFT	24	X	X	X	X	X	X
5327023	1	CAM	25	X	X	X	X	X	X
5327024	1	DOWEL PIN	26	X	X	X	X	X	X
5327025	1	SPRING SLIDE	27	X	X	X	X	X	X
5485114	1	COVER	28	X	X	X	X	X	X
5304010	8	SAFETY WASHER	29	X	X	X	X	X	X
5327026	2	TURNING BUTTON	30	X	X	X	X	X	X
5327027	1	PLUG SOCKET	31	X	X	X	X	X	X
5327028	1	CIRCUIT BOARD	32	X	X	X	X	X	X
5327029	1	HANDLE LEVER	33	X	X	X	X	X	X
5327030	4	SPACER WASHER	34	X	X	X	X	X	X

Acme #	Pcs.	Description	Key No.	3/8".016-.025	3/8".026-.041	1/2".016-.025	1/2".026-.041	5/8".016-.025	5/8".026-.041
				1971301	1971302	1971303	1971304	1971305	1971306
5327031	2	SPUR WHEEL	35	X	X	X	X	X	X
5327032	1	PINION	36	X	X	X	X	X	X
5327033	1	BALL BEARING	37	X	X	X	X	X	X
5327034	1	FELT WASHER	38	X	X	X	X	X	X
5327035	2	BALL BEARING	39	X	X	X	X	X	X
5327036	2	PARALLEL PIN	40	X	X	X	X	X	X
5327037	1	SPUR WHEEL	41	X	X	X	X	X	X
5327038	1	BALL BEARING	42	X	X	X	X	X	X
5327039	1	WHEEL	43	X	X	X	X	X	X
5391039	3	SOCKET CS HEAD SCREW	44	X	X	X	X	X	X
5327040	1	COVER	45	X	X	X	X	X	X
5485086	1	TENSIONING RING	46	X	X	X	X	X	X
5327041	1	STANCHION	47	X	X	X	X	X	X
5327042	1	IDLER GEAR	48	X	X	X	X	X	X
5327043	3	NEEDLE CAGE	49	X	X	X	X	X	X
5305035	3	PARALLEL PIN	50	X	X	X	X	X	X
5485081	1	SECURITY RING	51	X	X	X	X	X	X
5485073	1	SPACER WASHER	52	X	X	X	X	X	X
5327044	1	ROCKER SWITCH	53	X	X	X	X	X	X
5304028	1	SLIDE BEARING	54	X	X	X	X	X	X
5327045	1	PLANET SHAFT	55	X	X	X	X	X	X
5327046	1	SPRING BOLT	56	X	X	X	X	X	X
5395064	2	PRESSURE SPRING	57	X	X	X	X	X	X
5327047	2	FELT	58	X	X	X	X	X	X
5391057	4	HAMMER HEAD BOLT	59	X	X	X	X	X	X
5327048	12	CUP SPRING	60	X	X	X	X	X	X
5327049	1	CARTRIDGE	61	X	X	X	X	X	X
5327050	1	PRESSURE SPRING	62	X	X	X	X	X	X
5327051	1	TYPE PLATE	63	X	X	X	X	X	X
5327052	2	SCREW	64	X	X	X	X	X	X
5327053	2	SAFETY WASHER	65	X	X	X	X	X	X
5327054	1	COVER	66	X	X	X	X	X	X
5327055	1	THRUST PIECE	67	X	X	X	X	X	X
5308094	6	BALL	68	X	X	X	X	X	X
5327056	1	BALL CAGE	69	X	X	X	X	X	X
5327057	1	DRIVING PIN	70	X	X	X	X	X	X
5327058	2	DRIVER	71	X	X	X	X	X	

6 PARTS LIST P320

Acme #	Pcs.	Description	Key No.	3/8".016-.025	3/8".026-.041	1/2".016-.025	1/2".026-.041	5/8".016-.025	5/8".026-.041
				1971301	1971302	1971303	1971304	1971305	1971306
5327060	1	WASHER	74	X	X	X	X	X	X
5327061	1	PRESSURE SPRING	75	X	X	X	X	X	X
5327062	1	SLIDE BEARING	76	X	X	X	X	X	X
5327063	1	SPACER WASHER	77	X	X	X	X	X	X
5327064	2	MICRO SWITCH	78	X	X	X	X	X	X
5327065	2	PT-SCREW	79	X	X	X	X	X	X
5327066	1	SEESAW LEVER	80	X	X	X	X	X	X
5485082	1	SECURITY RING	81	X	X	X	X	X	X
5485082	4	SECURITY RING	81	X	X	X	X	X	X
5327067	1	RETAINER	82	X	X	X	X	X	X
5327068	1	COUPLER	83	X	X	X	X	X	X
5322003	1	GUIDE CASE	84	X	X				
5327069	1	GUIDE CASE	84	X	X	X	X		
5457036	1	BALL BEARING	85	X	X	X	X	X	X
5457036	1	BALL BEARING	85	X	X	X	X	X	X
5327070	2	NEEDLE BUSHING	86	X	X	X	X	X	X
5327071	1	ROCKER	87	X	X	X	X	X	X
5327072	1	WELDING ECCENTRIC	88	X	X	X	X	X	X
5327073	1	PINION	89	X	X	X	X	X	X
5327074	1	MOTOR HOUSING	90	X	X	X	X	X	X
5327075	1	TORSION SPRING	92	X	X	X	X	X	X
5327076	1	SPUR WHEEL	93	X	X	X	X	X	X
5327077	1	NEEDLE, FREE WHEELING	94	X	X	X	X	X	X
5327078	1	SHAFT	95	X	X	X	X	X	X
5327079	1	LEVER	96	X	X	X	X	X	X
5327080	1	COUPLER	97	X	X	X	X	X	X
5327081	1	BALL BEARING	98	X	X	X	X	X	X
5327082	1	BODY	99	X	X	X	X	X	X
5327083	1	GROOVED PIN	100	X	X	X	X	X	X
5391053	1	PARALLEL PIN	101	X	X	X	X	X	X
5485066	2	SCREW	102	X	X	X	X	X	X
5327084	3	PARALLEL PIN	103	X	X	X	X	X	X
5327085	3	IDLER GEAR	104	X	X	X	X	X	X
5327086	2	CENTERING SLEEVE	105	X	X	X	X	X	X
5457015	1	CIRCLIP	91	X	X	X	X	X	X

Acme #	Pcs.	Description	Key No.	3/8".016-.025	3/8".026-.041	1/2".016-.025	1/2".026-.041	5/8".016-.025	5/8".026-.041
				1971301	1971302	1971303	1971304	1971305	1971306
5327087	1	PRESSURE SPRING	106	X	X	X	X	X	X
5395066	1	BALL	107	X	X	X	X	X	X
5327089	3	NEEDLE CAGE	109	X	X	X	X	X	X
5327090	1	BOLT	110	X	X	X	X	X	X
5322001	1@	WELDING GRIPPER	111	X	X				
5327091	1@	WELDING GRIPPER	111			X	X	X	X
5327092	1	SLIDE BEARING	112	X	X	X	X	X	X
5327093	1	INNER RACEWAY	113	X	X	X	X	X	X
5327094	1	ECCENTRIC SHAFT	114	X	X	X	X	X	X
5327095	1@	CUTTER	115	X	X	X	X	X	X
5327096	1	LEVER	116	X	X	X	X	X	X
5391044	2	SPRING LOCK WASHER	117	X	X	X	X	X	X
5327097	2	SCREW	118	X	X	X	X	X	X
5485136	1	GUIDE PIN	119	X	X				
5485155	1	GUIDE PIN	119	X	X				
5486002	1	GUIDE PIN	119	X	X	X	X	X	X
5485137	1	GUIDE PIN	120	X	X				
5485156	1	GUIDE PIN	120	X	X				
5486003	1	GUIDE PIN	120	X	X	X	X	X	X
5327098	1	PRESSURE SPRING	122	X	X	X	X	X	X
5327099	1	SEESAW LEVER	123						
5327100	1	CENTERING SLEEVE	124	X	X	X	X	X	X
5327101	1	COVER	125	X	X	X	X	X	X
5327102	1	NEEDLE CAGE	126	X	X	X	X	X	X
5327103	1	END COVER	127	X	X	X	X	X	X
5485075	6	SAFETY WASHER	128	X	X	X	X	X	X
5327104	1	SOCKET HEAD CAP SCREW	129	X	X	X	X	X	X
5485068	5	SOCKET HEAD CAP SCREW	130	X	X	X	X	X	X
5322002	1	STEEL INSERT	132	X	X	X			
5327106	1	STEEL INSERT	132	X	X	X			
5327107	1@	WELDING STOP GRIPPER	133	X	X	X	X	X	X
5327108	1	FEATHER KEY	134	X	X	X	X	X	X
5327109	1	SLIDE BEARING	135	X	X	X	X	X	X
5327110	1	FRONT TOGGLE LINK	136	X	X	X	X	X	X
5327111	1	PRESSURE ROLLER	137	X	X	X	X	X	X
5327112	3	SWIVEL SHAFT	138	X	X	X	X	X	X
5327113	3	SLIDE BEARING	139	X	X	X	X	X	X
5327114	1	TENSIONING BODY	140	X	X	X	X	X	X

Acme #	Pcs.	Description	Key No.	3/8".016-.025	3/8".026-.041	1/2".016-.025	1/2".026-.041	5/8".016-.025	5/8".026-.041
				1971301	1971302	1971303	1971304	1971305	1971306
5304003	2	SOCKET HEAD CAP SCREW	141	X	X	X	X	X	X
5327115	4	PARALLEL PIN	142	X	X	X	X	X	X
5327116	2	SOCKET CS HEAD SCREW	143	X	X	X	X	X	X
5322008	1	STRAP STOP	144	X	X				
5324001	1	STRAP STOP	144	X	X				
5327117	1	STRAP STOP	144	X	X				
5327118	1	TORSION SPRING	145	X	X	X	X	X	X
5322005	1@	GRIPPER	146	X		X		X	
5327119	1@	GRIPPER	146		X		X		X
5322006	1@	GRIPPER	147	X		X	X		X
5327120	1@	GRIPPER	147		X			X	
5327121	2	BALL BEARING	148	X	X	X	X	X	X
5322007	1@	GRIPPER	149	X		X	X		X
5327122	1@	GRIPPER	149		X			X	
5327123	3	DOWEL	150	X	X	X	X	X	X
5322004	1@	TENSIONING WHEEL	151	X		X		X	
5327124	1@	TENSIONING WHEEL	151		X		X		X
5322009	1	STRAP GUIDE 3/8	153			X	X		
5324002	1	STRAP GUIDE 1/2	153					X	X
5327126	1	STRAP GUIDE 5/8"	153						
5327127	2	PARALLEL PIN	154	X	X	X	X	X	X
5327127	1	PARALLEL PIN	154	X	X	X	X	X	X
5327128	1	HOLDER	155	X	X	X	X	X	X
5327129	1	HOLDER	156	X	X	X	X	X	X
5327133	1	LABEL	157	X	X	X	X	X	X
5327130	1	BATTERY CHARGER 110 v		X	X	X	X	X	X
5327131	1	WEARPLATE		X	X	X	X	X	X
5327132	1	SUSPENSION		X	X	X	X	X	X