

PC1000

POLYCHEM[®]
PLASTIC STRAPPING SYSTEMS

AUTOMATIC STRAPPING MACHINE

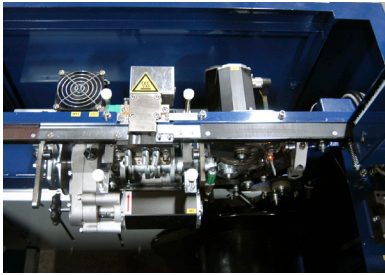
***UP TO
65
STRAPS PER
MINUTE!***



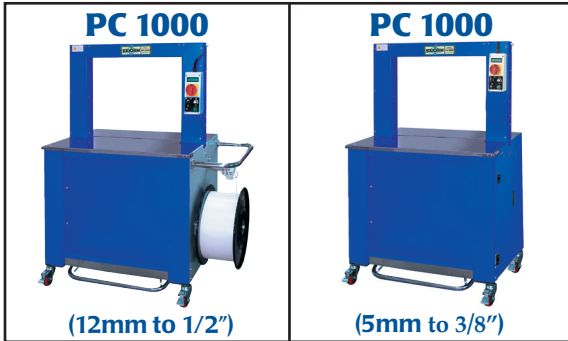
- ***High Speed Reliability***
- ***Easy to Operate***
- ***Extra Length Coil Capability***



PC1000 Automatic Strapping Machine



The PC1000 is an innovative high speed automatic strapping machine. It is equipped with all industry standard features. The PC1000 offers optimal performance, high cycle speed and easy maintenance. This machine is the most cost effective solution to your strapping requirements in its class today.



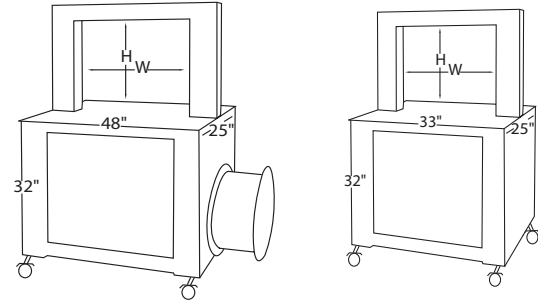
PC 1000

(12mm to 1/2")

PC 1000

(5mm to 3/8")

Dimensions



STANDARD
PC1000 (12mm, 1/2")

		WIDTH			
		25	33	49	65
HEIGHT	19				
	23				
	31				
	39				

COMPACT (internal dispenser)
PC1000 (5mm - 3/8")

		WIDTH			
		25	33	49	65
HEIGHT	19				
	23				
	31				
	39				

Shaded Area: Stocked arch sizes
Non-Shaded Area are on a 12 week Special Order Basis

Standard Features

- Cycle speed is up to 65 straps per minute (depending on arch size)
- German DC brushless motor technology
- No belts, clutches, or pulleys. 30% fewer parts, less maintenance and items to go wrong
- Waist high quick change coil and strap feed
- Easy access operating control panel
- Easy access strap chute-no tools required
- Front foot-bar pedal plus movable foot switch
- One piece strap chute
- Sensor controlled heater
- End of coil strap ejector/loop ejector
- Electronic brake / Auto loader
- Adjustable table height from 32" to 36"
- Lockable casters
- Choice of arch sizes
- Roller top standard on arches 33" wide or wider

ALSO AVAILABLE

PC1000SP
small package machine capable of strapping packages as small as 1.7" W x 3/8" H.

Save time and money with **Polychem XL Strap**

- MAS50XL - 5mm x 30,000'
- MAS61XL - 6mm x 29,000'
- MAS90XL - 9mm x 18,000'

Specifications

Cycle Rate:	Up to 65 straps per minute depending on arch and package size
Package Weight:	Up to 100 lbs.
Strap Tension:	Up to 100 lbs.
Polypropylene Strap:	5mm, 6mm, 9mm, 3/8, 12mm, 1/2
Electrical Requirements:	110V 60Hz 1 Phase
Optional:	Photo eye activation
Shipping Weight:	450 lbs.



CALL TOLL FREE 1-888-POLYCHEM
www.polychem.com

6277 HEISLEY ROAD
MENTOR, OHIO 44060
(440) 357-1500
FAX (440) 352-9553

or 1-888-765-9243

WEST COAST DISTRIBUTION CENTER
11920 ALTAMAR PLACE
SANTA FE SPRINGS, CA 90670
(562) 903-4579
FAX (562) 903-4579
1-800-899-0822

EVERGREEN PLASTICS FACILITY
202 WATERTOWER DRIVE
CLYDE, OH 43410
(419) 547-1400
FAX (419) 547-4551