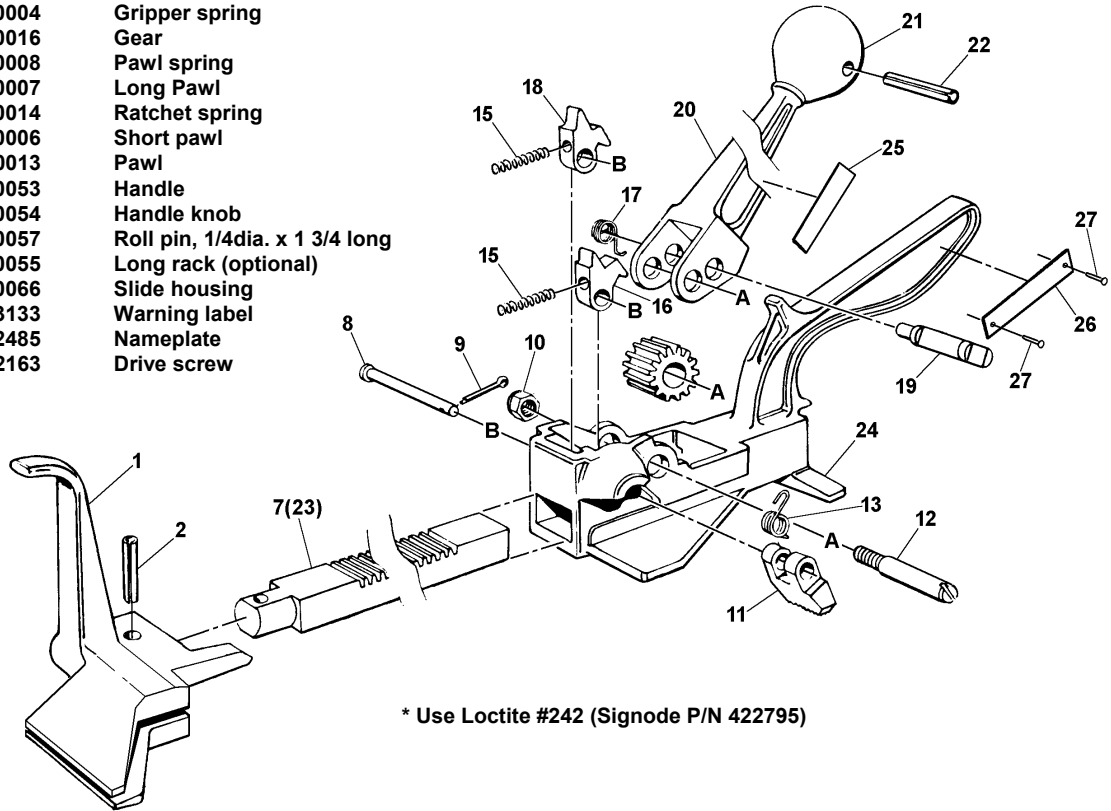


PARTS LIST, PH-2 (010065)

| <u>KEY</u> | <u>QTY.</u> | <u>PART#</u> | <u>DESCRIPTION</u> |
|------------|-------------|--------------|----------------------------------|
| 1 | 1 | 423277 | Breaking nose base |
| 2 | 1 | 010019 | Roll pin, 1/4 dia. x 1 1/8 long |
| 7 | 1 | 010005 | Rack |
| 8 | 1 | 010043 | Gripper pin |
| 9 | 1 | 001621 | Cotter pin, 3/32 dia. x 1/2 long |
| 10 | 1 | 003868 | Flexloc nut, 3/8-24 thin |
| 11 | 1 | 010011 | Gripper |
| 12 | 1 | 010021 | Handle pivot pin |
| 13 | 1 | 010004 | Gripper spring |
| 14 | 1 | 010016 | Gear |
| 15 | 2 | 010008 | Pawl spring |
| 16 | 1 | 010007 | Long Pawl |
| 17 | 1 | 010014 | Ratchet spring |
| 18 | 1 | 010006 | Short pawl |
| 19 | 1 | 010013 | Pawl |
| 20 | 1 | 010053 | Handle |
| 21 | 1 | 010054 | Handle knob |
| 22 | 1 | 010057 | Roll pin, 1/4dia. x 1 3/4 long |
| 23 | 1 | 010055 | Long rack (optional) |
| 24 | 1 | 010066 | Slide housing |
| 25 | 1 | 003133 | Warning label |
| 26 | 1 | 002485 | Nameplate |
| 27 | 2 | 002163 | Drive screw |

⚠ WARNING

Inspect all parts daily and replace them if they are worn or broken. Failure to do this can affect a product's operation and could result in serious personal injury.



NOTES:

1. When ordering parts, please show tool model, part number and name.
2. All recommended spare parts are underlined and should be stocked.
3. Standard hardware parts may be obtained from local hardware suppliers.

MAINTENANCE

Clean and apply a light weight machine oil to all moving parts on a weekly basis. Clean the gripper daily with a wire brush. Debris accumulated in the teeth of the gripper must be removed with a small wire brush. A need to clean the teeth will become apparent when the gripper skids on the strap during tensioning.