

PARTS LIST

<u>KEY</u>	<u>QTY</u>	<u>PART NO</u>	<u>DESCRIPTION</u>
1	4	009397	Socket head screw, 10-24 x 1/2" lg.
2	1	015749	Handle
3	1	015736	Cam roller
4	1	015730	Cam roller pin
5	1	026133	Roll pin, 1/8" x 1" lg.
6	2	008845	Socket head screw, 5/16-18 x 7/8" lg.
7	1	015771	Sealer frame
8	1	013631	Socket head screw, 5/16"-18 x 1 1/4" lg.
9	1	092175	Roll pin, 5/32 x 3/4" lg.
10	2	008901	Roll pin, 1/8 x 3/4" lg.
11	1	023710	Long-Lok set screw, 5/16"-18
12	2	010057	Roll pin 1/4" x 1 3/4"
13	2	010054	Knob
14	1	015762	Tensioning handle
15	1	015719	Driving pawl
16	1	015725	Driving pawl spring
17	1	012546	Roll pin, 3/32" x 1/2" lg.
18	1	015723	Pawl pin
19	1	008148	Roll pin, 1/8" x 7/16" lg.
20	1	057118	Bushing
21	1	015715	Top gear
22	1	015716	Bottom gear
23	1	015724	Support pin
24	1	015721	Holding pawl spring
25	1	015717	Holding pawl
26	2	015745	Bushing
27	1	015766	Gear housing
28	1	015746	Bushing
29	1	008852	Knob
30	1	015789	Reaction handle assembly
31	1	015739	Feedwheel shaft
32	1	015782	Detent plunger
33	1	005165	Detent spring
34	1	005279	Detent bushing
35	1	015732	Shoulder screw, 3/8" dia. x 3/4" lg.
36	1	015764	Base
37	2	005211	Flexloc nut, 5/16"-18
38	1	007707	Detent washer
39	2	005214	Roll pin 1/4" x 3/4" lg.
40	1	009336	Flat point set screw, 1/4-28 x 3/4" lg.
41	1	004526	Flexloc nut thin, 1/4"-28
42	1	005768	Roll pin, 3/16" x 1/2" lg.
43	1	023709	Spring pin
44	1	023654	Spring, strap guide
45	2	009016	Socket head screw, 5/16"-18 x 1" lg.
46	2	008151	Socket head screw, 5/16"-18 x 1 1/2" lg.
47	1	023672	Clutch plug assembly
48	1	015740	Feedwheel
49	1	015722	Energizing spring

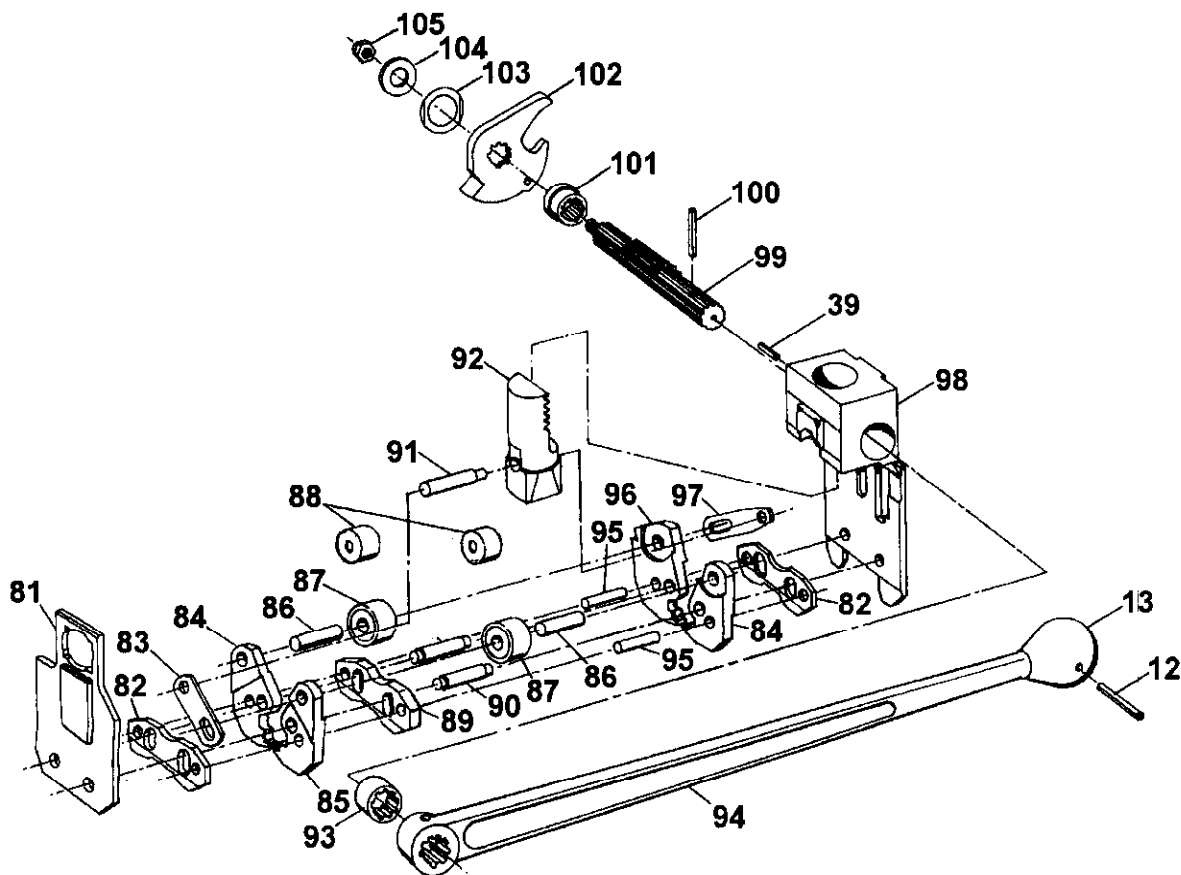
PARTS LIST, Continued

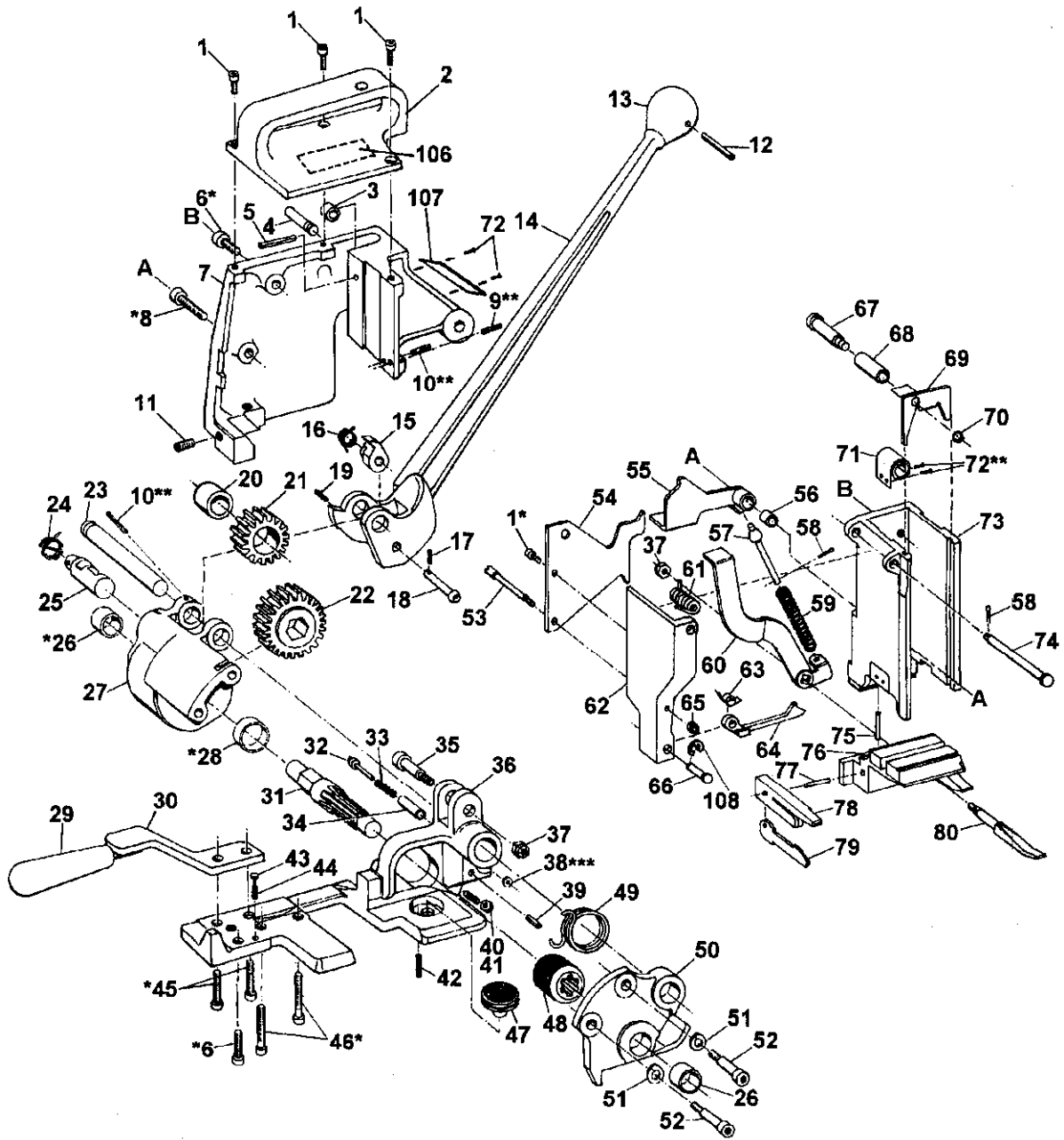
<u>KEY</u>	<u>QTY</u>	<u>PART NO</u>	<u>DESCRIPTION</u>
50	1	015760	Outer link
51	2	002188	Split lockwasher, 5/16" I.D.
52	2	015741	Shoulder screw, 5/16" dia. x 3/4" lg.
53	1	015711	Gripper drive pin
54	1	015710	Ejector arm
55	1	015708	Gripper release assembly
56	1	015709	Gripper release bushing
57	1	015734	Spring spacer
58	2	001621	Cotter pin, 3/32" x 1/2" lg.
59	1	006741	Spring, strap gripper
60	1	015735	Gripper lever assembly
61	1	023641	Ejector lever spring
62	1	015751	Ejector frame
63	1	020629	Ejector spring
64	1	023633	Ejector
65	1	004963	Flexloc nut, 10-32
66	1	015713	Lower ejector pin
67	1	015773	Magazine spring pin
68	1	023631	Sleeve, magazine spring
69	1	023646	Seal follower
70	1	006747	Retaining ring
71	1	020640	Magazine spring
72	4	004939	Drive screw
73	1	023607	Magazine
74	1	015712	Ejector pin
75	1	012582	Dowel pin, 3/16" x 1" lg.
76	1	023617	Cutter block
77	1	023725	Strap guide pin
78	1	023621	Fixed rear strap guide
79	1	023622	Movable rear strap guide
80	1	015706	Strap gripper
81	1	015754	Cutter blade
82	2	015701	Outside notcher
83	1	015718	Front link
84	2	015655	Jaw
85	1	015758	Narrow jaw
86	2	015775	Follower pin
88	2	160320	Roller
89	1	015727	Inside notcher
90	2	015705	Jaw pin
91	1	015731	Ram pin
92	1	015752	Ram
93	1	015729	Short pinion bearing
94	1	015767	Sealer handle
95	2	015703	Notcher pin
96	1	015756	Locking jaw
97	1	015707	Rear link

<u>KEY</u>	<u>QTY</u>	<u>PART NO.</u>	<u>DESCRIPTION</u>
98	1	015769	Jaw support
99	1	015753	Pinion
100	1	014810	Roll pin, 1/4" x 1 1/4" lg.
101	1	015728	Sealer pinion bearing
102	1	015761	Sealer cam
103	1	014549	Brake spring
104	1	015774	Flat washer, 7/16" I.D. X 1" O.D.
105	1	003868	Flexloc nut, 3/8"-24
106	1	003132	Caution plate
107	1	002495	Nameplate
108	1	026866	Truarc

⚠ WARNING

Inspect all parts daily and replace them if they are worn or broken. Failure to do this can affect a product's operation and could result in serious personal injury.





* Use Loctite #242 or equivalent.

** Use Loctite #271 or equivalent.

*** Rivet in place

WARNING

Inspect all parts daily and replace them if they are worn or broken. Failure to do this can affect a product's operation and could result in serious personal injury.