

PARTS LIST

<u>KEY</u>	<u>QTY.</u>	<u>PART NO.</u>	<u>DESCRIPTION</u>
1	3	004618	SHCS, #10-24 x 5/8
2	1	306934	Handle
2A	1	006978	Set screw, 1/4-28 x 5/16
3	1	023211	Cam roller
4	1	023210	Cam roller pin
5	1	004958	Roll pin, 1/8 x 7/8
6	1	023217	<u>Shoulder scr., 3/8 D x 3/8 L 5/16-18 x 1/2</u>
7	1	267631	Sealer frame
8	1	009016	SHCS, 5/16-18 x 1
9	1	023352	Set screw, 1/4-20 x 1/2
10	1	005197	Roll pin, 5/32 x 11/16
11	1	005185	Tensioner pawl
12	1	005186	Pawl spring
13	1	023219	<u>Tensioner pinion</u>
14	1	023234	Tension handle
15	2	010054	<u>Knob</u>
16	2	010057	Roll pin, 1/4 x 1 3/4
17	1	007707	Detent washer
18	1	005279	Detent bushing
19	1	005165	Detent spring
20	1	005164	Detent plunger
21	1	023222	<u>Handle bushing</u>
22	1	023216	Support shaft
23	1	005192	Retaining pawl pin
24	2	003911	Locknut, 5/16-24
25	2	005208	Feedwheel washer
26	1	023214	Tensioner gear
27	1	001611	Cotter pin, 3/32 x 3/4
28	1	005141	Short retaining pawl
29	1	005139	Long retaining pawl
30	2	005191	Retaining pawl spring
31	1	023242	Gear housing
32	1	023213	Feedwheel shaft
33	3	005211	Lock nut, 5/16-18
34	1	008852	<u>Knob</u>
35	1	023248	Handle weldment
36	1	020643	Strap guide spring
37	2	009041	SHCS, 1/4-20 x 3/4
38	2	008153	Flat head socket cap screw, 5/16-18 x 3/4
39	1	306909	Tensioner frame
39A	1	024774	Shim
40	1	023218	Gear housing spring
41	1	023244	Detent stop
42	1	006566	Spring washer
43	1	306902	<u>Feedwheel</u>
44	1	306910	Side plate
45	2	003868	Lock nut, 3/8-24, thin
46	1	006567	<u>Side plate bushing</u>
47	1	005209	L. H. nut, 5/16-24
48	1	422361	<u>Rocking gripper</u>
49	3	005054	<u>Truarc, #5100-31</u>
50	1	024409	Ejector lever
51	1	020629	Ejector spring
52	1	024415	<u>Ejector</u>

PARTS LIST, Continued

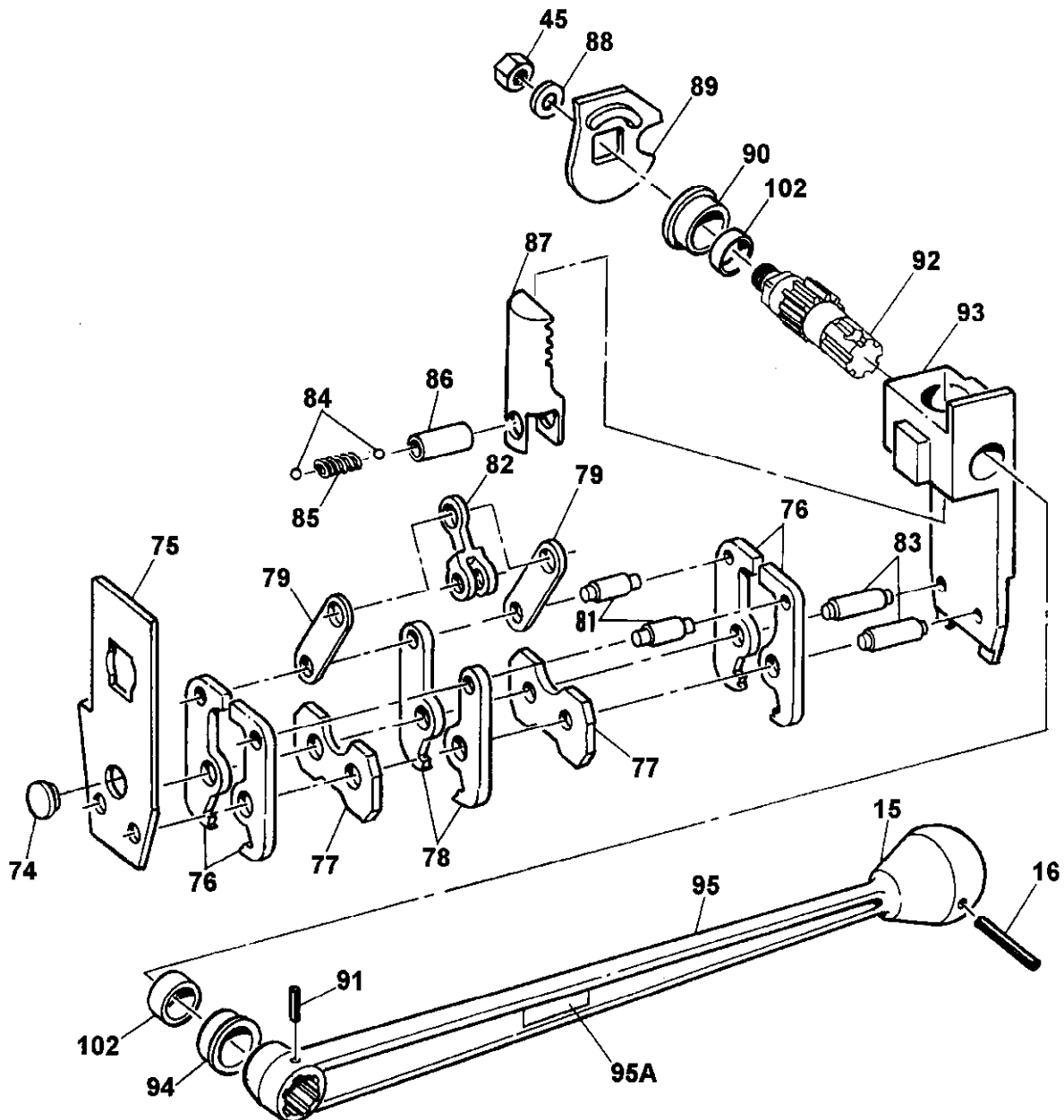
<u>KEY</u>	<u>QTY.</u>	<u>PART NO.</u>	<u>DESCRIPTION</u>
53	1	<u>026866</u>	<u>Truarc</u>
54	1	<u>020621</u>	<u>Ejector pin</u>
55	1	<u>423811</u>	<u>Ejector lever spring</u>
56	1	<u>023756</u>	<u>Gripper trigger</u>
57	1	<u>023766</u>	<u>Truarc, #5133-25</u>
58	1	<u>023765</u>	<u>Trigger pivot</u>
59	1	<u>020635</u>	<u>Gripper spring</u>
60	1	<u>023758</u>	<u>Gripper lever</u>
61	1	<u>423342</u>	<u>Seal pad assembly</u>
62	1	<u>020640</u>	<u>Magazine spring</u>
63	2	<u>004939</u>	<u>Drive screw, #2 x 3/16</u>
64	1	<u>020622</u>	<u>Ejector pin</u>
65	1	<u>306929</u>	<u>Magazine</u>
66	1	<u>007150</u>	<u>Dowel pin, 3/16 x 7/8</u>
67	1	<u>306913</u>	<u>Cutter block</u>
68	1	<u>020662</u>	<u>Strap guide pin</u>
69	1	<u>020601</u>	<u>Strap latch, fixed</u>
70	1	<u>020604</u>	<u>Strap latch, moveable</u>
71	2	<u>003914</u>	<u>Socket head cap screw</u>
72	1	<u>020628</u>	<u>Holding gripper</u>
74	1	<u>023241</u>	<u>Roller pin</u>
75	1	<u>306915</u>	<u>Cutter blade</u>
76	4	<u>306916</u>	<u>Outer jaw</u>
77	2	<u>306917</u>	<u>Crimper</u>
78	2	<u>306918</u>	<u>Jaw, center</u>
79	2	<u>023203</u>	<u>Flat toggle link</u>
81	2	<u>020627</u>	<u>Toggle pin</u>
82	1	<u>023204</u>	<u>Forked toggle link</u>
83	2	<u>020615</u>	<u>Jaw pin</u>
84	2	<u>004500</u>	<u>Steel ball, 1/4 dia.</u>
85	1	<u>005158</u>	<u>Rack lock spring</u>
86	1	<u>023206</u>	<u>Rack pin</u>
87	1	<u>023205</u>	<u>Rack</u>
88	1	<u>004727</u>	<u>Washer</u>
89	1	<u>306919</u>	<u>Cam, sealer</u>
90	1	<u>306921</u>	<u>Inner sleeve</u>
91	1	<u>010019</u>	<u>Roll pin, 1/4 x 1 1/8</u>
92	1	<u>306920</u>	<u>Sealer pinion</u>
93	1	<u>306931</u>	<u>Jaw support</u>
94	1	<u>306928</u>	<u>Outer sleeve</u>
95	1	<u>423369</u>	<u>Sealer handle</u>
95A	1	<u>306973</u>	<u>Information sign</u>
97	1	<u>003132</u>	<u>Danger sign</u>
98	1	<u>306933</u>	<u>Nameplate</u>
99	1	<u>023245</u>	<u>Tension handle assembly</u>
100	1	<u>306935</u>	<u>Front guide</u>
101	2	<u>007142</u>	<u>SHCS, 1/4-28 x 1/2</u>
102	2	<u>274011</u>	<u>Roller bearing, INA# HK1612</u>
103	2	<u>002187</u>	<u>Lock washer, 1/4</u>
104	1	<u>433399</u>	<u>Safety sign</u>
105	1	<u>286374</u>	<u>Safety sign</u>

- When ordering parts, please show model, part number and description.
- Standard hardware parts may obtained at any local hardware supply.
- Recommended spare parts are underlined and should be stocked.

⚠ WARNING

Inspect all parts daily and replace them if they are worn or broken. Failure to do this can affect a product's operation and could result in serious personal injury.

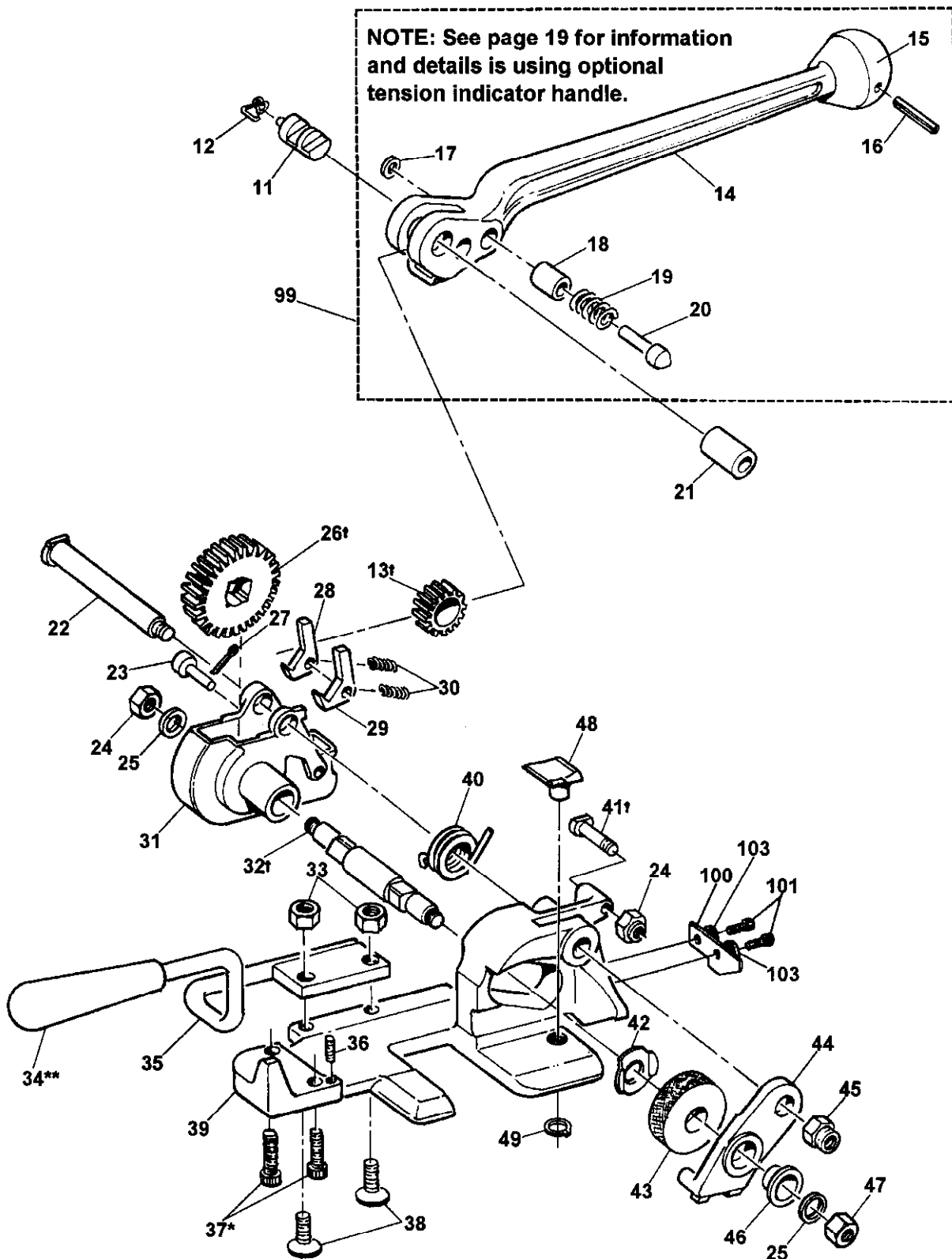
NOTE: Lubricate all moving parts with Lubriplate 3000-W, Signode Part No. 010739.



† Lubricate all moving parts with Lubriplate 3000-W, Signode Part No. 010739.

* Secure with Loctite #242.

** Secure with Loctite #271.



▲WARNING

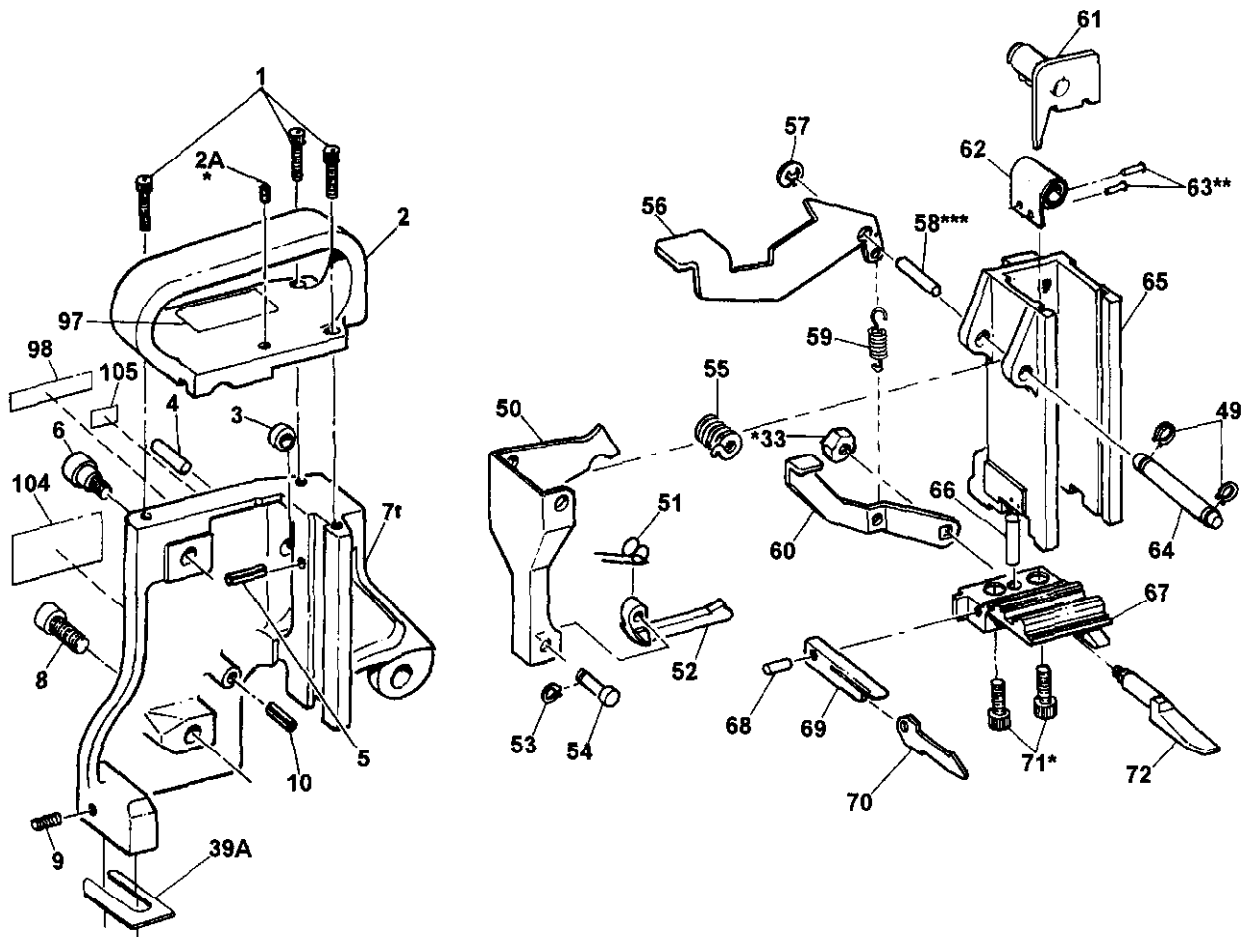
Inspect all parts daily and replace them if they are worn or broken. Failure to do this can affect a product's operation and could result in serious personal injury.

† Lubricate all moving parts with Lubriplate 3000-W, Signode Part No. 010739.

* Secure with Loctite #242.

** Secure with Loctite #271.

*** Secure with Loctite #609.



NOTES:

- Use shims (39A) as needed for proper clearance between gripper (72) and tensioner frame (39).
- Assemble ejector pin (54) with point facing towards housing.