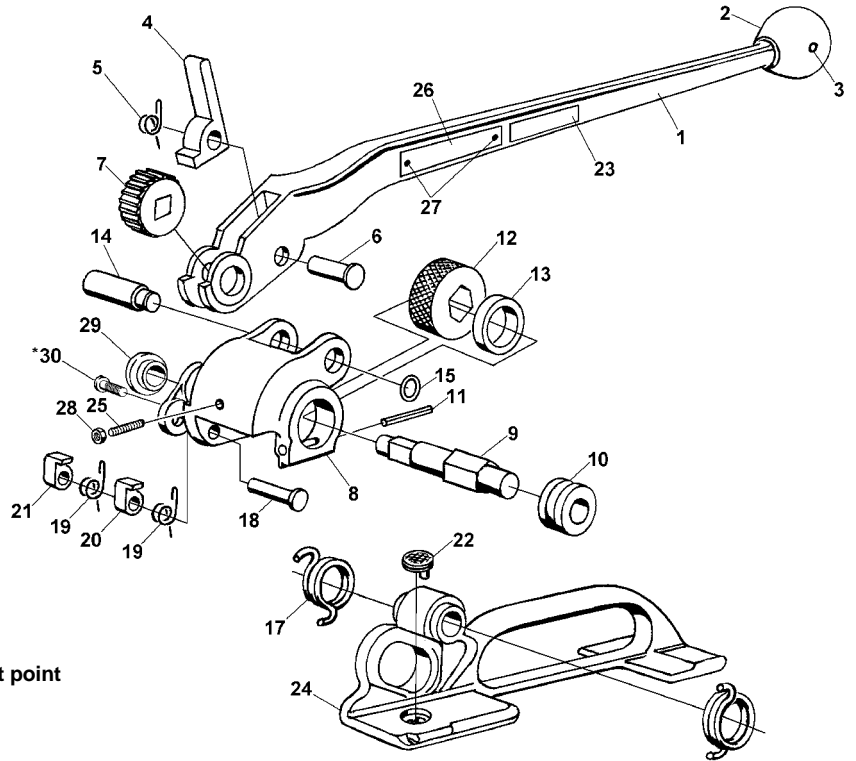


TH-114 TENSIONER PARTS LIST

KEY	QTY.	PART #	DESCRIPTION
1	1	020503	Handle
2	1	010054	Knob
3	1	010057	Roll pin
4	1	020512	Handle pawl
5	1	020511	Handle pawl spring
6	1	007507	Cross head pin
7	1	020510	Ratchet gear
8	1	020502	Support frame
9	1	020504	Feedwheel shaft
10	1	020506	Bushing
11	1	023080	Roll pin, 3/16 x 7/8
12	1	424034	Feedwheel
13	1	020505	Strap spacer
14	1	020509	Support pin
15	1	008671	Retaining ring
16	1	020508	Retaining spring
17	1	020570	Feedwheel spring
18	1	020516	Retaining pawl pin
19	2	003483	Pawl spring
20	1	020514	Long pawl
21	1	020515	Short pawl
22	1	020507	Clutch plug
23	1	003133	Caution sign
24	1	020501	Base
25	1	015747	SHSS, 1/4-28 x 5/8, flat point
26	1	002431	Nameplate
27	2	002163	Drive screw (Black)
28	1	424270	Hex nut, steel
29	1	424250	Bushing
30	1	424251	BHCS, 1/4-28 x 1/4



! When ordering parts, please show tool model, part number, and description.
! All recommended spare parts are underlined and should be stocked.

* Apply one drop of Loctite #271 (Red) or equivalent, available as Signode Part No. 422796.

NOTE: Keys numbers 8, 29 and 30 can be ordered together as Gear Housing Kit, Signode part No. 424438

WARNING All parts must be periodically inspected and replaced if worn or broken. Failure to do this can affect a product's operation and can result in personal injury.

FEEDWHEEL CLEARANCE ADJUSTMENT

1. The feedwheel (Key 12) clearance to the clutch plug (Key 22) should be set to .001"-.010" (0.02-0.25mm).
2. Loosen the locking nut (Key 28) which secures the adjustment screw (Key 25).
3. Adjust the clearance by turning the Socket Head Set Screw (Key 25) as required.
4. Tighten the locking nut (Key 28) to maintain the adjustment.

Occasional the clearance should be checked and reset if necessary. Failure to properly inspect and re-adjust the feedwheel clearance could result in damage to the feedwheel and/or the clutch plug.

For additional information and details on replacing the feedwheel and the clutch plug, contact your Signode Sales Representative.